

CD RECEIVER

KDC-X769

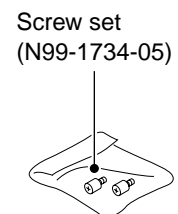
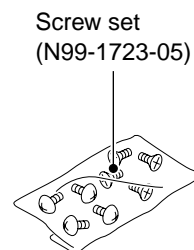
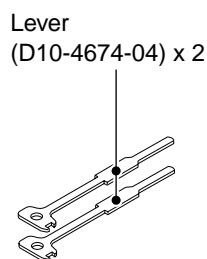
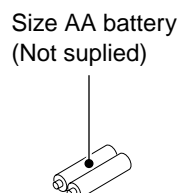
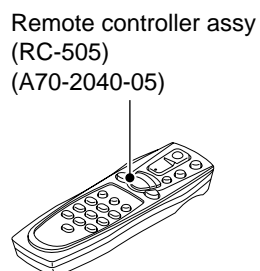
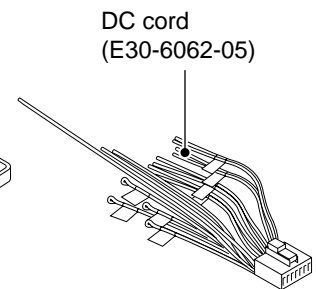
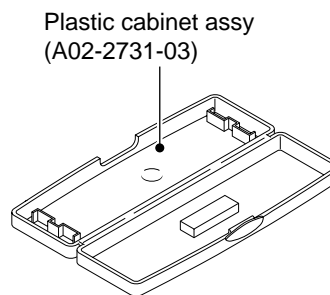
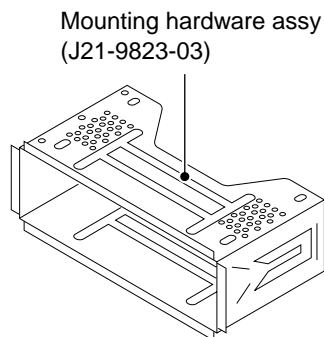
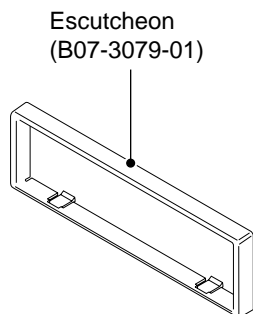
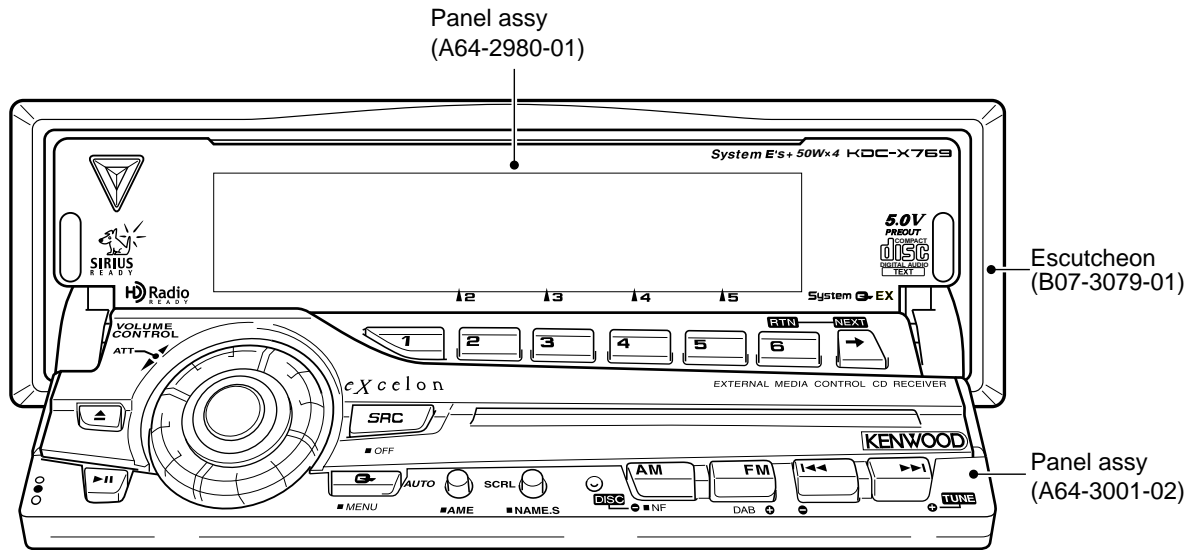
SERVICE MANUAL

KENWOOD

© 2003-2 PRINTED IN JAPAN
B53-0037-00 (N) 1459

CD mechanism operation description is not in this service manual.
Please, refer to service manual X92-4030-0x (B51-7867-00).

CD mechanism extension cord : W05-0935-00



HOW TO THE PANEL MECHANISM ASSEMBLY

1. Fixed the position of operation side

(Fixed the horizontal position when the panel opened)

- ① The mounting hardware (281) of operation side is rotation (A) into the stop position with close side.
- ② As figure (B) line is just above and the gear (230) attached to pin.

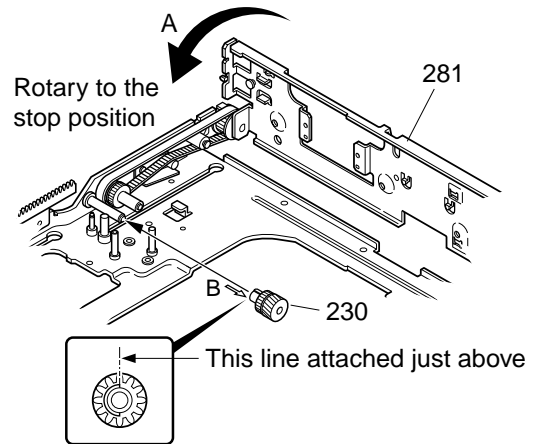
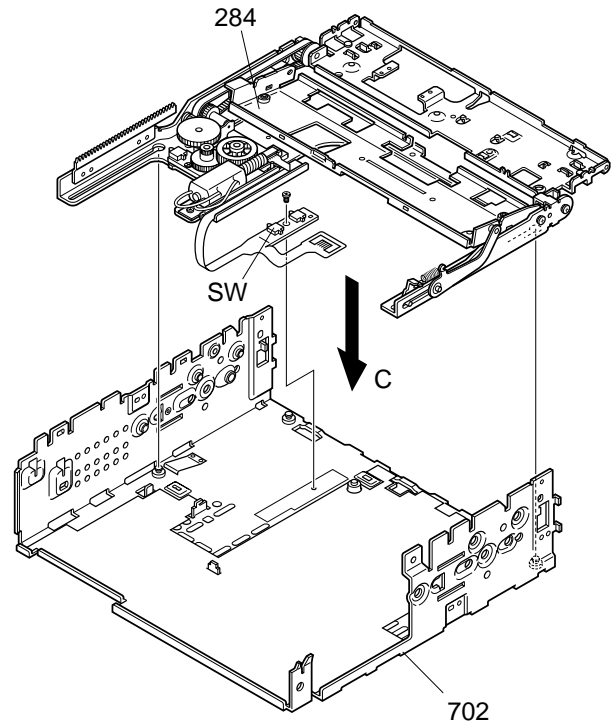


Fig. B

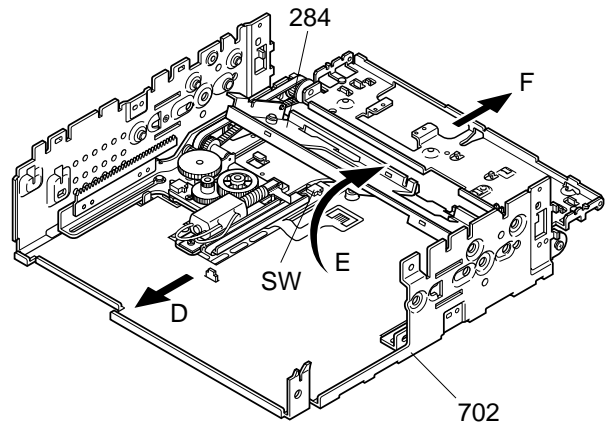
(This figure from look at B arrow)

2. The slider assembly insert to bottom chassis

- ① The bracket for display panel (284) is leave down, insert to the chassis (702). (C)



- ② The slider assembly insert to the chassis (702) after that shift (D) direction.
- ③ The bracket for display panel (284) is raised (E) direction.
- ④ Keep the raising conditions, the slider assembly is shift (F) direction.
(Note) Do not bend the knob of chassis detection switch when the slider assembly insert.



COMPONENTS DESCRIPTION

● SUB-CIRCUIT UNIT (X16-2080-10)

Ref. No.	Application/Function	Operation/Condition/Compatibility
IC1	E2PROM	For security

● SUB-CIRCUIT UNIT (X16-2140-10)

Ref. No.	Application/Function	Operation/Condition/Compatibility
IC1	LCD driver	KEY Input
IC2	LCD driver	
IC3	Remote control sensor	
Q1	KEY scan start SW	ON when the base goes "L".
Q5, D26	VLCD AVR	
Q6	Remote control sensor power supply SW	ON when the base goes "L".
Q11	Dimmer control	LCD back light control. OFF when the base goes "L", ON when the base goes "H".

● SWITCH UNIT (X16-2190-10)

Ref. No.	Application/Function	Operation/Condition/Compatibility
Q1	DSI (Disabled System Indicator)	DSI blinks when the base goes "H/L"
Q2	KEY illumination SW (GREEN)	ON (KEY illumination green) when the base goes "H"
Q3	KEY illumination SW (RED)	ON (KEY illumination red) when the base goes "H"

● ELECTRIC UNIT (X25-9680-10)

Ref. No.	Application/Function	Operation/Condition/Compatibility
IC1	System μ -com	
IC2	E-vol & N.C. & MPX	
IC3	Regulator IC for A8V	
IC4	Power IC	
IC6	-9V AVR (DC/DC IC) for 4.5V Pre-out	
IC7	Reset IC	
IC8	Logic IC for muting	
IC9~11	AMP for 4.5V Pre-out	
IC13, 14	Motor driver IC for panel mechanism	
IC15	ROM IC	For ROM correction.
Q1, 2	B.U.5V AVR	While BU is applied, BU5V AVR outputs +5V.
Q3	SW5V	When Q3'base goes Lo, SW5V outputs +5V.
Q4, 5	SW14V	When Q5'base goes Hi, SW14V outputs 14V.
Q6~8	AUDIO 8V AVR	When Q6'base goes Hi, A8V AVR outputs 8.4V.
Q9, 34	SERVO+B AVR	When Q602'base goes Hi, S+B AVR outputs 7.4V.
Q11~14	ILL+B AVR	When Q11'base goes Hi, AVR outputs 10.5V.
Q15, 16	AUDIO 10.7V AVR	When Q16'base goes Hi, AVR outputs 10.7V.
Q17~19	Pre-Amp -9V AVR	Q18 and 19 works as a differential amplifier, Q17 works as a driver and -9.0V is supplied to OP amp for Pre-out.
Q20~22	Pre-Amp +9V AVR	Q20 and 21 works as a differential amplifier, Q22 works as a driver and +9.3V is supplied to OP amp for Pre-out.
Q23, 24	P-ANT SW	When Q23'base goes Hi, P-ANT SW outputs 14V.
Q25, 26	P-CON SW	When Q26'base goes Hi, P-CON SW outputs 14V.

COMPONENTS DESCRIPTION

Ref. No.	Application/Function	Operation/Condition/Compatibility
Q27, 28	P-CON protection	Protect Q27 by turning on when P-CON output is grounded.
Q29	Ex Amp control buffer	
Q30	Small lamp det SW	When Q30'base goes Hi, Q30 is turned on.
Q32	BU det	When Q32'base goes Hi, Q32 is turned on.
Q33	ACC det	When Q33'base goes Hi, Q33 is turned on.
Q51, 52	Mute driver	When a base goes Lo, mute driver is turned on.
Q53	Noise buffer	
Q54	E-vol mute SW	When a base goes Hi, mute SW is turned on.
Q55~60	Pre-out mute SW	When a base goes Hi, Pre-out is muted.
Q63	E2P 5V SW	When Q63'base goes Lo, E2P 5V is out.
Q102, 103	AM+B SW	When Q102'base goes Hi, AM+B is out.

MICROCOMPUTER'S TERMINAL DESCRIPTION

● SYSTEM MICROCOMPUTER : UPD703030GC015 (X25-968 : IC1)

Pin No.	Pin Name	I/O	Module	Purpose / Description	Truth table	Processing Operation
1	PLL_DATA	I/O	Tuner	Data output/input with F/E.		
2	AM+B	I/O	Power supply	AM+B.		AM operation : H
3	(FM+B)	O	Power supply	FM+B (S01 F/E only).		FM operation : H, Last FM : H (With RDS, RBDS model)
4	V_ILL PAN_E2P DATA	I/O	To panel	V-ILL D/A converter (V-ILL, LCD), E2PROM data.		
5	V_ILL PAN_E2P CLK	I/O	To panel	V-ILL D/A converter (V-ILL, LCD), E2PROM clock.		
6	EVDD	-				
7	EVSS	-				
8	AFS	O	Tuner	Noise detection time constant switching.		FM seek, AF search : L, Receiving : H, Auto 0 : L
9	BEEP	O	Audio	Beep output.		
10	REMO	I	Extra	Remote control input (Panel, External display).		
11	P_MUTE	O	Audio	Power IC MUTE output.		Power OFF : L, All OFF : L, TEL mute : L
12	(SVR)	O	Audio	Power IC SVR discharge circuit control.		Power OFF momentary power dropped : H (5 second) and then L
13	IC2_SDA	I/O	CD	CD mechanism data line.		
			Audio	IC2 data line.		
			Extra	ROM correction data line.		
14	IC2_CLK	I/O	CD	CD mechanism clock line.		
			Audio	IC2 clock line.		
			Extra	ROM correction clock line.		
15	P_STBY	O	Audio	Power IC STBY output.		Power IC ON : H, Power IC OFF : L, All OFF : H
16	P_CON	I/O	Extra	Power control.		Power ON : H, Power OFF : Hi-Z, All OFF : Hi-Z
17	DIMMER_CONT	O	To panel	Dimmer control (W-LED only).		Dimmer : Pulse control, Frequency : 1kHz, Normally : H
18	TEST	-				Connect to GND.
19	TYPE2	I	Extra	Destination select.	②	

KDC-X769

MICROCOMPUTER'S TERMINAL DESCRIPTION

Pin No.	Pin Name	I/O	Module	Purpose / Description	Truth table	Processing Operation
20	MUTE	O	Audio	Mute output.		ON : OPEN, OFF : L
21	PRE_MUTEL	O	Audio	PREOUT (L ch) mute.		M MUTE L is L : L (CD), Momentary power dropped : L, 2 zone, NAVI interrupt : Fixed H
22	PRE_MUTER	O	Audio	PREOUT (R ch) mute.		M MUTE R is L : L (CD), Momentary power dropped : L, 2 zone, NAVI interrupt : Fixed H
23	BU_DET	I	Extra	Momentary power dropped detection.		Backup : L, No backup, momentary power dropped : H
24	ACC_DET	I	Extra	ACC detection.		With ACC : L, Without ACC : H
25	SW5V	I/O	Power supply	5V power supply.		ON : L, OFF : Hi-Z
26	EXT_AMP_CONT	O	Extra	External amplifier control.		Refer to external amplifier control.
27	DIMMER	I	Extra	Small lamp detection.		ON : L, OFF : H
28	ANT_CON	O	Extra	Antenna control.	②	Tuner ON : H, Other source With RDS last FM : H, Other source with RDBS TI ON last FM : H
29	P_ON	I/O	Power supply	SW 14V, SW 5V control, AD reference voltage control output.		Power ON : H, Power OFF : Hi-Z
30	ILL_ON	I/O	Power supply	FL, illumination output.		ON : H, OFF : Hi-Z
31	RESET	-				
32	XT1	-		Sub clock.		32.768kHz
33	XT2	-		Sub clock.		32.768kHz
34	REGC	-				Connect to 1 μ F capacitor.
35	X2	-		Main clock.		20MHz
36	X1	-		Main clock.		20MHz
37	VSS	-				
38	VDD	-				
39	CLKOUT	-				
40	LX_REQ_M	O	LX	Communication request to external slave.		Request : L
41	LX_MUTE	I	LX	Mute request from external slave.		Mute ON : H
42	LX_CON	O	LX	External slave select.		ON : H, OFF : L
43	LX_RST	O	LX	Reset output to external slave μ -com.		Normally : L, After system reset : H (400ms or more) and then L
44	NC	O		NC (Without WMA, MP3 model)		Output : L
45	TYPE0	I	Extra	Destination select.	②	
46	TYPE1	I	Extra	Destination select.	②	
47	IC2_TYPE0	I	Extra	IC2 destination.	②	
48	IC2_TYPE1	I	Extra	IC2 destination.	②	
49	NC	O		NC		Output : L
50	E2P5V	I/O	Power supply	E2PROM, DA converter power supply control.		ON : L, OFF : Hi-Z
51	DSI	I/O	To panel	DSI control.		ON : L, OFF : Hi-Z
52	L_CE	O	To panel	Chip enable output to LCD driver.		
53	L_INH	O	To panel	Inhibit signal output to LCD driver.		Normally : H, Reset, momentary power dropped : L
54	VOL A	I	To panel	VOL input.		
55	BVDD	-				
56	BVSS	-				
57	VOL B	I	To panel	VOL input.		

MICROCOMPUTER'S TERMINAL DESCRIPTION

Pin No.	Pin Name	I/O	Module	Purpose / Description	Truth table	Processing Operation
58	M_RST	O	CD	Reset output to CD mechanism.		Normally : H, Reset : L (Per mechanism control)
59	M_STOP	O	CD	Stop request to CD mechanism.		Stop : L, CD : H
60	CD_SW3	I	CD	DC down switch detection.		Chucking : H
61	LO/EJ	I/O	CD	CD mechanism loading/eject switch.		Stop, brake : Hi-Z, Loading : L, Eject : H
62	MOSW	O	CD	CD mechanism motor driver switch.		Loading, eject, brake : H
63	FPM MOTOR B	O	P-mecha	FPM mechanism (Slider) control.	③	
64	FPM MOTOR F	O	P-mecha	FPM mechanism (Slider) control.	③	
65	FPM MOTOR O	O	P-mecha	FPM mechanism (Angle) control.	③	
66	FPM MOTOR C	O	P-mecha	FPM mechanism (Angle) control.	③	
67	NC	O		NC (Without external display model)		Output : L
68	NC	O		NC (Without external display model)		Output : L
69	NC	O		NC (Without external display model)		Output : L
70	M_MUTER	I	CD	Mute request form CD mechanism. (R ch).		ON : L (CD)
71	AVDD	-				
72	AVSS	-				
73	AVREF	-		Connect to P_ON (29 pin).		
74	M_MUTEL	I	CD	Mute request form CD mechanism. (L ch).		ON : L (CD)
75	PAN_DET	I	To panel	Panel E2PROM detection.		With : L, Without : H
76	NC	I		NC (Without TEL-MUTE model)		Connect to GND.
77	FPM SW4	I	P-mecha	FPM mechanism position detection, mechanism detection.	③	3.75V or more : No mechanism, 1.25V or more : H, Less than 1.25V : L
78	FPM SW1	I	P-mecha	FPM mechanism position detection.	③	
79	FPM SW2	I	P-mecha	FPM mechanism position detection.	③	
80	FPM SW3	I	P-mecha	FPM mechanism position detection.	③	
81	FPM PHOUT	I	P-mecha	FPM mechanism position detection.	③	H : 2.2V or more
82	S_METER	I	Tuner	S-meter detection.		Refer to S03 F/E control.
83	NOISE	I	Tuner	FM noise detection.		Refer to S03 F/E control.
84	IFC_OUT	I	Tuner	F/E IFC OUT input.		With station : 2.5V or more, refer to S03 F/E control.
85	NC (POWER_DET)	I	Extra	Power IC DC offset detection.		03 model not used. Connect to GND.
86	NC	O		NC (Except J type)		Output : L
87	NC	I		NC (Without RDS, RBDS model)		Connecto to GND.
88	LX_REQ_S	I	LX	Receive request from external slave.		Request : L
89	KEY_REQ	I	To panel	Communication request from LCD driver		
90	CD_SW1	I	CD	Loading switch detection.		Loading start power off : L
91	CD_SW2	I	CD	12cm disc detection switch.		12cm disc power off : L
92	NC	I		NC (Without RDS, RBDS model)		Connecto to GND.
93	NC	I		NC (Without RDS, RBDS model)		Connecto to GND.
94	LX_DATA_S	I	LX	Data input from external slave.		
95	LX_DATA_M	O	LX	Data output to external slave.		
96	LX_CLK	I/O	LX	Clock input/output with external slave.		
97	L_DATA_L	I	To panel	Data input from LCD driver.		
98	L_DATAS	O	To panel	Data output to LCD driver.		
99	L_CLK	O	To panel	Clock output to LCD driver.		
100	PLL_CLK	I/O	Tuner	Clock input/output with F/E.		

KDC-X769

MICROCOMPUTER'S TERMINAL DESCRIPTION

Truth table

② Destination port

MODEL	Destination	DISPLAY	TYPE2	TYPE1	TYPE0
KDC-X969	K	FL	0	0	0
KDC-MP922	K	FL	0	0	1
FX-9000	J	FL	0	1	0
KDC-PSW9524	E	FL	1	0	0
KDC-9023R	M (E)	FL	1	0	1
KDC-X869	K	FL	0	1	1
KDC-8024	E	FL	-	-	-
KDC-MP822	K	LCD	-	0	0
KDC-M7024	E	LCD	-	0	1
FX-5000	J	LCD	-	1	0
KDC-V7022	K	LCD	0	0	0
KDC-X769	K	LCD	0	0	1
KDC-722	K	LCD	0	1	0
KDC-7024	E	LCD	0	1	1
KDC-7024Y					
KDC-8023	M (K)	LCD	1	0	0

Note : When FL model using TYPE2, K & J type (with ANT_CON model) : L, E type (without ANT_CON model) : H

Destination(IC2)

	TYPE0	TYPE1
Market model	L	L
Market model CRSC modification	L	H
OEM model CRSC modification	H	L
OEM model CRSC and de-emphasis modification	H	H

③ FPM MOTOR

Slide		FPM mechanism operation
FPM MOTOR B	FPM MOTOR F	
0	0	Standby
1	0	Backward operation
0	1	Forward operation
1	1	Brake

Angle		FPM mechanism operation
FPM MOTOR O	FPM MOTOR C	
0	0	Standby
1	0	Angle open direction
0	1	Angle close direction
1	1	Brake

TEST MODE

● How to enter the test mode

While pressing and holding the Preset 1 and Preset 3 keys, reset the unit.

● How to exit from the test mode

While holding the Preset 6 key, reset the unit.

(Note) The test mode cannot be terminated by reset the unit, ACC OFF, power OFF and Panel detached, momentary power down.

● Initial status in the test mode

- Sources : ALL OFF
- Display : All segments are lit.
- Volume : -10 dB (displayed as "30")
- Loudness : OFF
- CRSC : OFF regardless of the presence of switching function.
- SYSTEM Q : Flat
- WOW : All OFF
- BEEP : When pressing any keys, the buzzer generates a beep at any time.
- AUX : ON
- MENU SYSTEM Q : OFF
- Variable model : Default is white
- Multifunction : Source dependency (Preset, SCAN, etc.)

● Special display in Tuner mode

When any of the following messages is displayed in Tuner mode, the F/E may be abnormal.

- "TNE2P NG" : The EEPROM is set to the default (unstable values) because the F/E was shipped without passing through the adjustment process, etc.
- "TNCON NG" : Communication with the F/E is not possible.

● Forced switching of K3I

Each press of the Preset 6 key in Tuner mode should switch K3I from AUTO → Forced Wide → Forced Middle → Forced Narrow → AUTO.

The initial status is AUTO and the display shows these modes as follows.

- AUTO : FMA
- Forced Wide : FMW
- Forced Middle : FMM
- Forced Narrow : FMN

● Test mode specifications of the CD receiver

- Forced ejection is inhibited in the reset start operation. When the unit is reset while a CD is loaded in it, the CD is not recognized by resetting.
- Each press of the Track Up key jumps to the following track numbers:
No. 9 → No. 15 → No. 10 → No. 11 → No. 12 → No. 13 → No. 22 → No. 14 → No. 9 (The cycle restarts from here.)
- Each press of the Track Down key jumps to the previous track number to the track being played.
- When the number of total tracks of the MP3 disc or the WMA disc is less than 9, 1st track is played.
- When the disc media is CD, A short press of the Preset 1 key jumps to the track number 28.
- When the model is equipped the CD mechanism assembly adapted for MP3 or MP3/WMA disc, the mechanism name and version number are displayed during the FL model is lower stand and Display mode of LCD model is DNPS.

● Audio-related specifications

- Pressing the * key on the remote initiates the audio adjustment mode.
- BL/F key on the Fader initials.
- Continuous holding of a remote control key is inhibited, and workings are short press of any keys.
- Bass, Middle and Treble are adjusted in 3 steps of -8 / 0 / +8 with the Track Up/Down keys (Default value at 0).
- Balance is adjusted in 3 steps of L15 / 0 / R15 with the Track Up/Down keys (Default value at 0).
- Fader is adjusted in 3 steps of R15 / 0 / F15 with the Track Up/Down keys (Default value at 0).
- HPF is adjusted in 2 steps of OFF / 170Hz (or 220Hz) with the Track Up/Down keys (Default value at OFF).
- LPF is adjusted in 2 steps of OFF / 120Hz with the Track Up/Down keys (Default value at OFF).
- Bass f, Bass Q, Bass EXT, Middle f, Middle Q and Treble f are not dealt with by the audio adjust.
- The WOW key pass during the audio adjustment as following steps.

Order	Mod.			Display
	TruBass	FOCUS	SRS	
①	OFF	OFF	OFF	SRS WOW OFF
②	ON	OFF	OFF	SRS TruBass ON
③	OFF	LOW	OFF	FOCUS LOW
④	OFF	HIGH	OFF	FOCUS HIGH
⑤	OFF	OFF	ON	SRS ON
⑥	ON	HIGH	ON	SRS WOW HIGH

TEST MODE

● Menu-related specifications

- A short press of the Q key initiates the menu mode.
- Pressing the DNPP key on the remote initiates the Menu mode.
- Continuous holding of a remote control key is inhibited, and workings are short press of any keys.
- Contrast is adjusted in 3 steps of 0 / 5 / 10 with the Track Up/Down keys (Default value at 5).

● Backup current measurement

When the unit is reset while ACC is OFF (i.e. by turning Backup ON), the MUTE terminal goes OFF in 2 seconds in place of 15 second. (The CD mechanism is not activated at this time.)

● Special display when the display is all on

Pressing the Preset keys while the power is ALL OFF displays the following information.

[PRESET 1]	Version display (8 digits, Month/Day/Hour/Minute) (Display) SYS xxxxxxxx : System microcomputer PAN xxxxxxxx : FL model only MEM xxxxxxxx : 4 contrasts FL model only
[PRESET 2]	Serial number display (8 digits) (Display) SNo xxxxxxxx
[PRESET 3]	Short press : View power ON time. (The All OFF period is not counted.) 2 seconds long press/hold : Clear power ON time at the power ON time displaying. (Display) PonTim xxxxx Max. 60000 (hours)
[PRESET 4]	Short press : Display CD operation time. 2 seconds long press/hold : Clear CD operation time at the CD operation time displaying. (Display) CDTim xxxxx Max. 60000 (hours)
[PRESET 5]	Short press : Display CD ejection count. 2 seconds long press/hold : Clear CD ejection count at the CD ejection count displaying. (Display) EjeCnt xxxxx Max. 60000 (times)
[PRESET 6]	Short press : Display Panel open/close count. 2 seconds long press/hold : Clear Panel open/close count at the Panel open/close count. (Display) PnCnt xxxxx Max. 600000 (times)
FM key	Display ROM collection version. (Display) ROM R xxx Invalid : "R --"
AM key	Display panel E2PROM condition. (Display) P-ROM OK (Registered code) P-ROM NG (Code is write in error) P-ROM WAIT (Unregistered code) P-ROM NON (Panel security nonfunctional)

● Panel mechanism

- Auto-panel close inhibition when set-in the CD.
- The panel operation inhibition at power ON/OFF and ACC ON/OFF.
- The panel position changing Eject ↔ Last with a short press of the PLAY/PAUSE keys.

● Other specifications

- No displays such as "CODE OFF/ON" during Power-ON.
- The LINE MUTE inhibition time is one second from 10 seconds when start-up the test mode.
- Do not write the security code with the security jig on the test mode.
- Do not write the serial with the serial writing jig on the test mode.
- OEM display output is not stop if OEM display not connection on the test mode.

● Switching the frequency span (K/M type)

While holding the Preset 1 key and Preset 5 key, reset the unit.

● Response to OEM setting

(Destination of electronic volume setting)

S03F/E models are response to OEM models option at put in μ -com 2 pin.

Its setting are following steps.

IC2TYPE0 (47 pin)	IC2TYPE1 (48 pin)	Description
Low	Low	① Trade model (Initial quantify)
Low	High	② Trade model (CRSC change)
High	Low	③ OEM model-ready CRSC change
High	High	④ OEM model-ready CRSC & de-emphasis change

● Security-related information

1. Forced Power ON mode (All models)

Even when the security (Cord) is approved, resetting the unit while holding the Q and Preset 4 keys makes it possible to turn the power ON for 30 minutes.

After 30 minutes have elapsed, it is not possible to return to the previous condition unless the unit is reset again. (Security code is do not clear at this mode. Put the power on fill-in.)

TEST MODE

2. Method of registration of the security code after EEPROM (F/E) replacement (Code security model)

- 1) Enter the test mode. (See How to enter the test mode)
- 2) Press the MENU key to enter the Menu mode.
- 3) When the message "Security" is displayed, press and hold the Track Up/Down key for 1 second to enter the security registration mode.
- 4) Enter the code using the FM/AM/Track Up/Track Down keys.
 FM key : Number up
 AM key : Number down
 Track Up key : Cursor right shift
 Track Down key : Cursor left shift
- 5) Hold down the Track Up key for at least 3 seconds and the message, "RE-ENTER" appears, so once again enter the code according to Step 4 above.
- 6) Press and hold the Track Up key for 3 seconds until "AP-PROVED" is displayed.
- 7) Exit from the test mode. (See 2. How to exit from the test mode)
 (Note 1) All Clear is not applicable to the security code of this model.
 (Note 2) When the F/E changed, need re-inscription because the panel security is clear.

3. Simple way to clear the security code (K type only)

- 1) During code request mode, press the Track UP key for at least 3 seconds while holding down the AUTO key. (--- will disappear)
- 2) Enter, "KCAR" with the remote controller as described below.
 - Press the remote controller 5 key twice, and press the Track Up key. (Enters a "K")
 - Press the remote controller 2 key three times, and press the Track Up key. (Enters a "C")
 - Press the remote controller 2 key once, and press the Track Up key. (Enters an "A")
 - Press the remote controller 7 key twice, and press the Track Up key. (Enters an "R")
- 3) Security function is canceled and unit sets to All-Off mode.
- 4) Code request mode appears if a mistake was made in entering the numbers.

4. How to inscription the panel security code

- 1) Enter the test mode.
- 2) Pressing the AM key on all lighting, check the "P-ROM WAIT" display.
- 3) The NEXT key is long press 2 seconds, writing the code.
- 4) Display is "P-ROM OK".
- 5) Exit from the test mode.
 (Note) E2PROM connection is NG when display is "P-ROM NG", so detach the panel and rewrite after the display is "P-ROM WAIT". This code can not clear.

● Check the SRAM

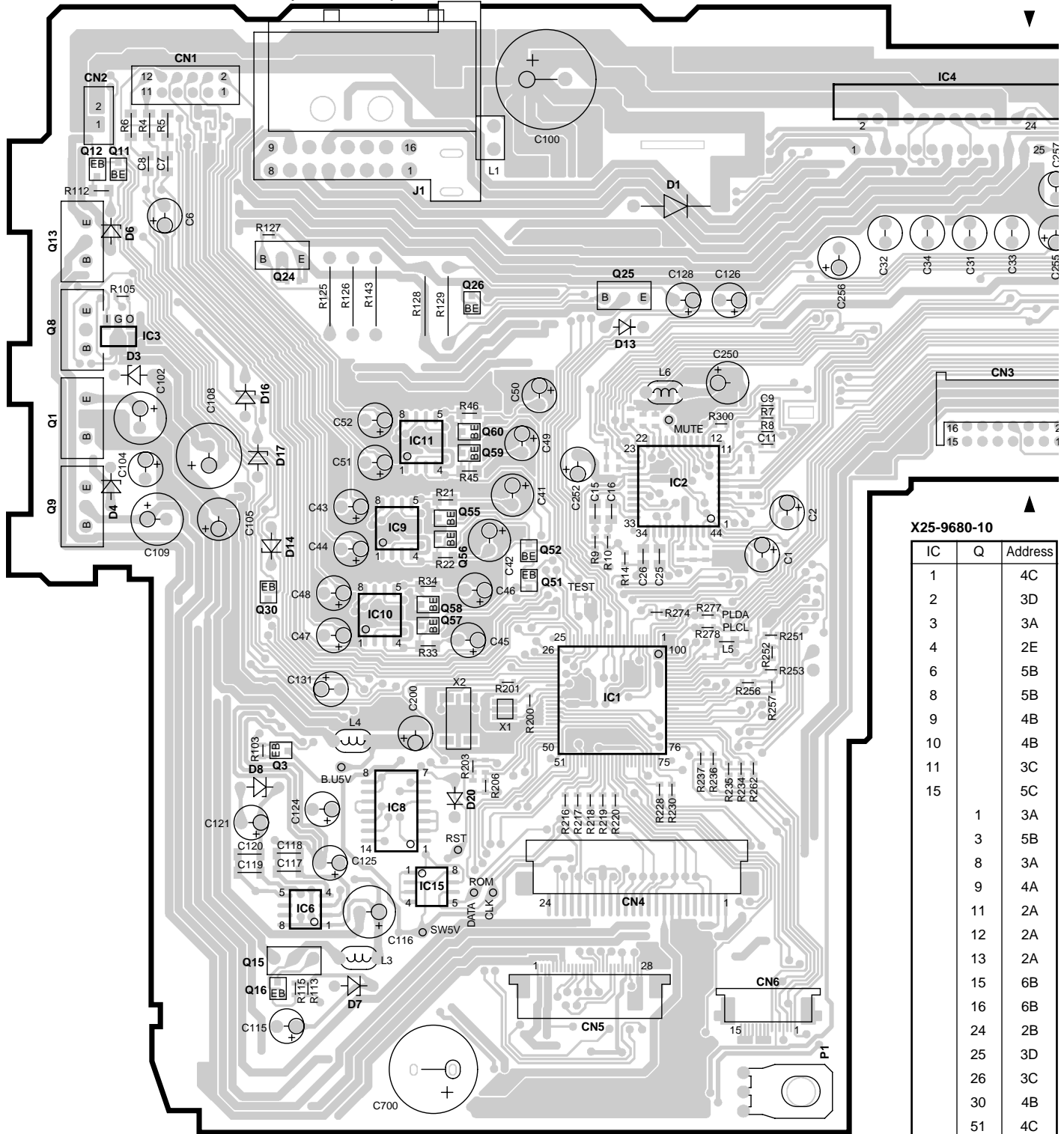
Output (Hi) to the SRAM_CHECK terminal on 101 pin when SRAM is function properly on the panel of 4 gradation FL models.

● Check the Flash ROM

- 1) Display to the following effect at ALL OFF by assortment system computer and panel for cover the customization model attach the panel with no Flash ROM.
 - Customization system computer + Flash ROM panel : All lighting
 - Non customization system computer + Non Flash ROM panel : All lighting
 - Customization system computer + Non Flash ROM panel : Panel NG
 - Non customization system computer + Flash ROM panel : Panel NG
- 2) Output (Hi) to the FLASHROM_CHECK terminal on 102 pin when Flash ROM is function properly.
- 3) Flash ROM data is initialized when pressing the AM key long hold at all lighting.
 Display is "Data Erase" in data erasing mode. Do not touch anything this mode. When the data erase completed, display is "Erase OK!!".
 If display is "Erase NG!!!!!!", Flash ROM data unable erase for some kind or another factors.
 When same effect as pressing the AM key long hold and data erase once again, Flash ROM is defective.

PC BOARD (COMPONENT SIDE VIEW)

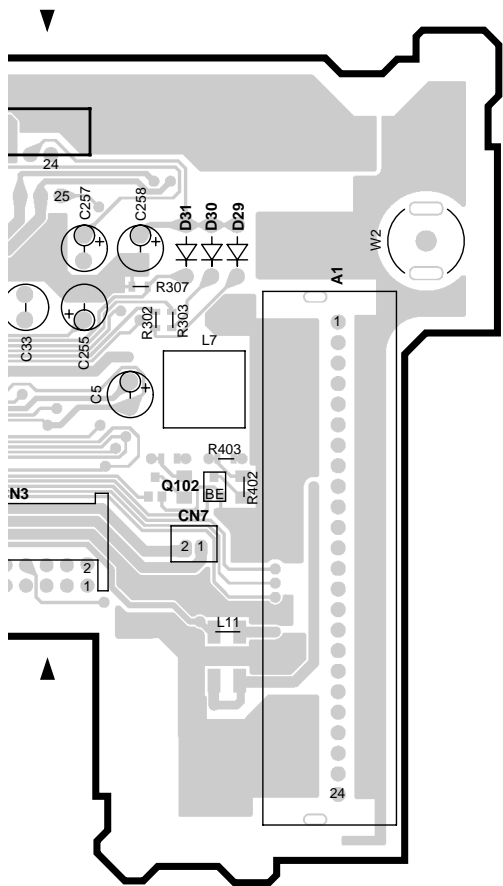
ELECTRIC UNIT X25-9680-10 (J74-1475-12)



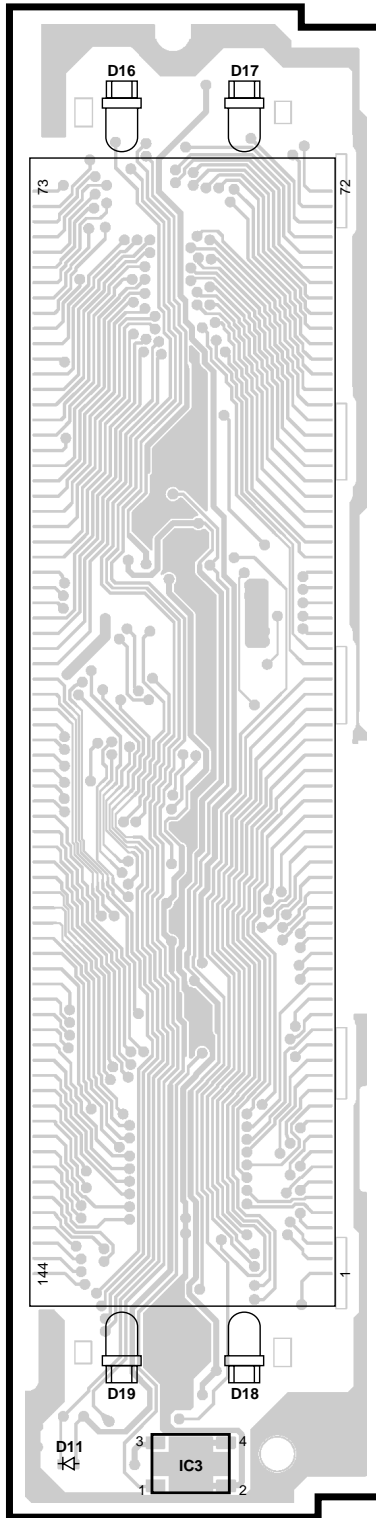
X25-9680-10

IC	Q	Address
1		4C
2		3D
3		3A
4		2E
6		5B
8		5B
9		4B
10		4B
11		3C
15		5C
	1	3A
	3	5B
	8	3A
	9	4A
	11	2A
	12	2A
	13	2A
	15	6B
	16	6B
	24	2B
	25	3D
	26	3C
	30	4B
	51	4C
	52	4C
	55	4C
	56	4C
	57	4C
	58	4C
	59	3C
	60	3C
	102	3F

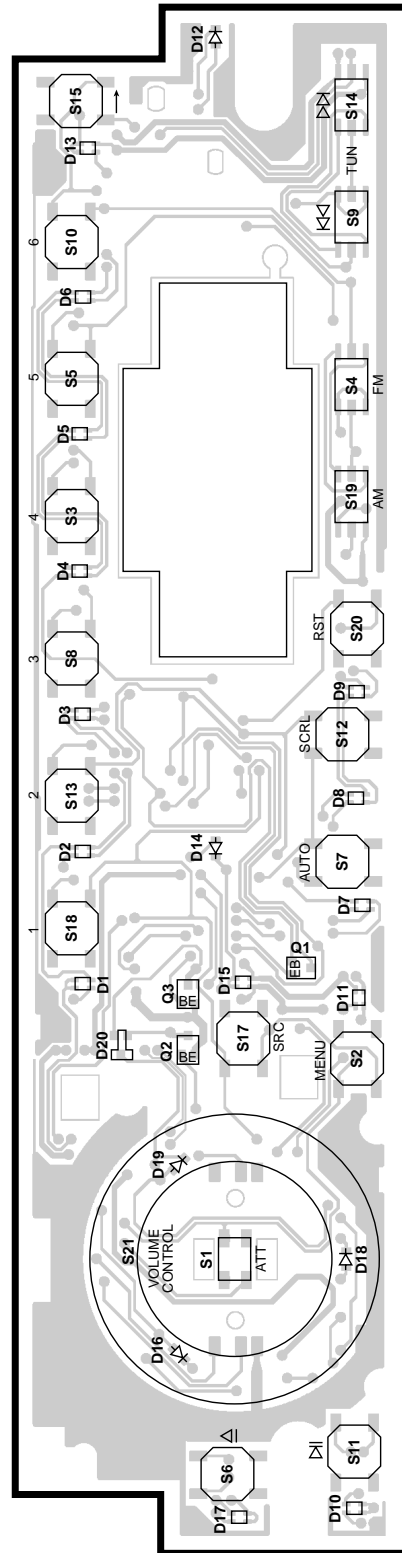
Refer to the schematic diagram for the values of resistors and capacitors.



SUB-CIRCUIT UNIT
X16-2140-10 (J74-1479-02)



SWITCH UNIT
X16-2190-10 (J74-1484-12)



X16-2140-10

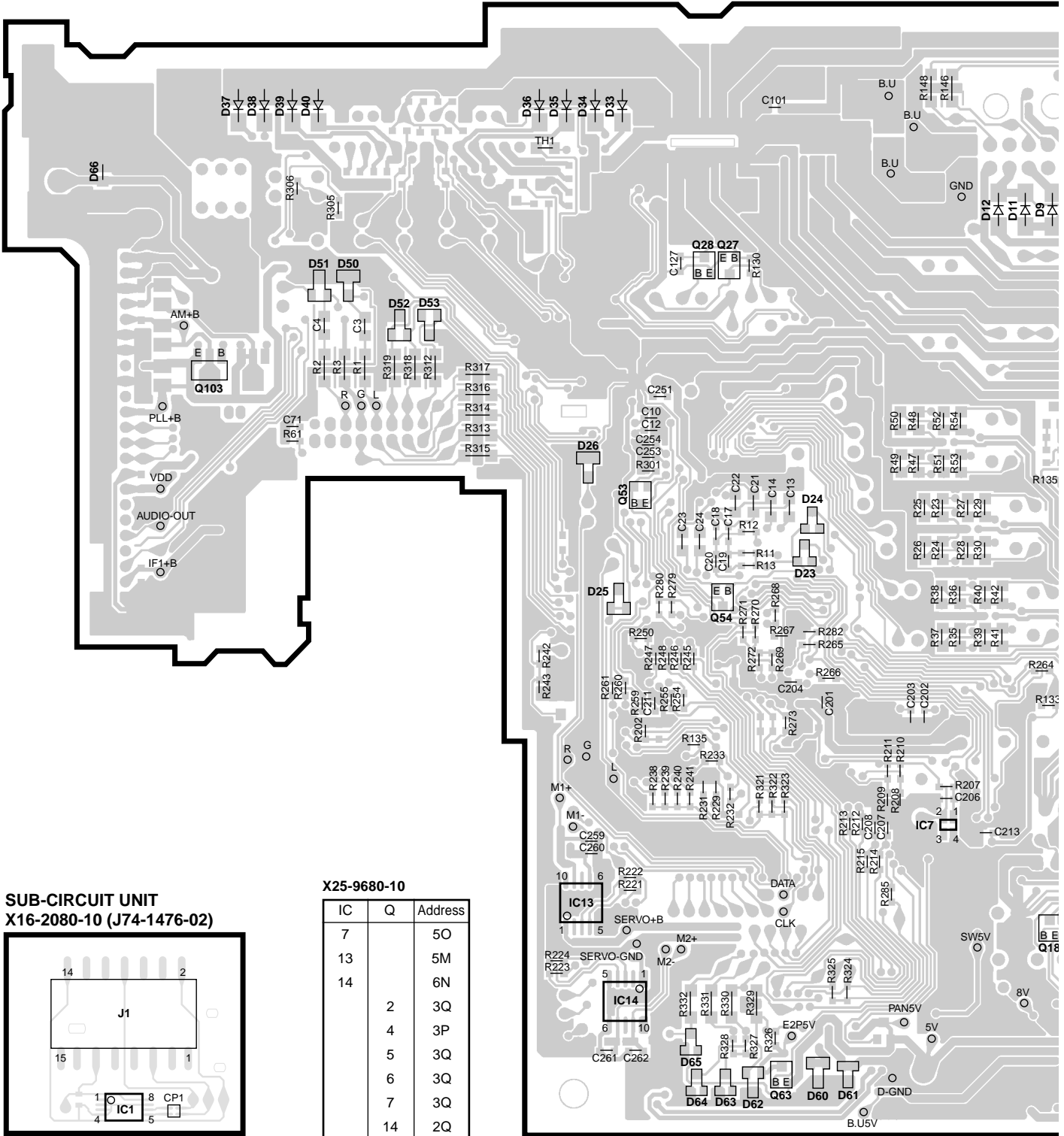
IC	Address
3	6H

X16-2190-10

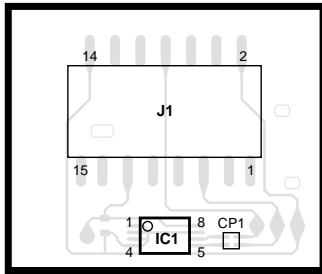
Q	Address
1	5J
2	5I
3	5I

PC BOARD (FOIL SIDE VIEW)

ELECTRIC UNIT X25-9680-10 (J74-1475-12)



SUB-CIRCUIT UNIT X16-2080-10 (J74-1476-02)



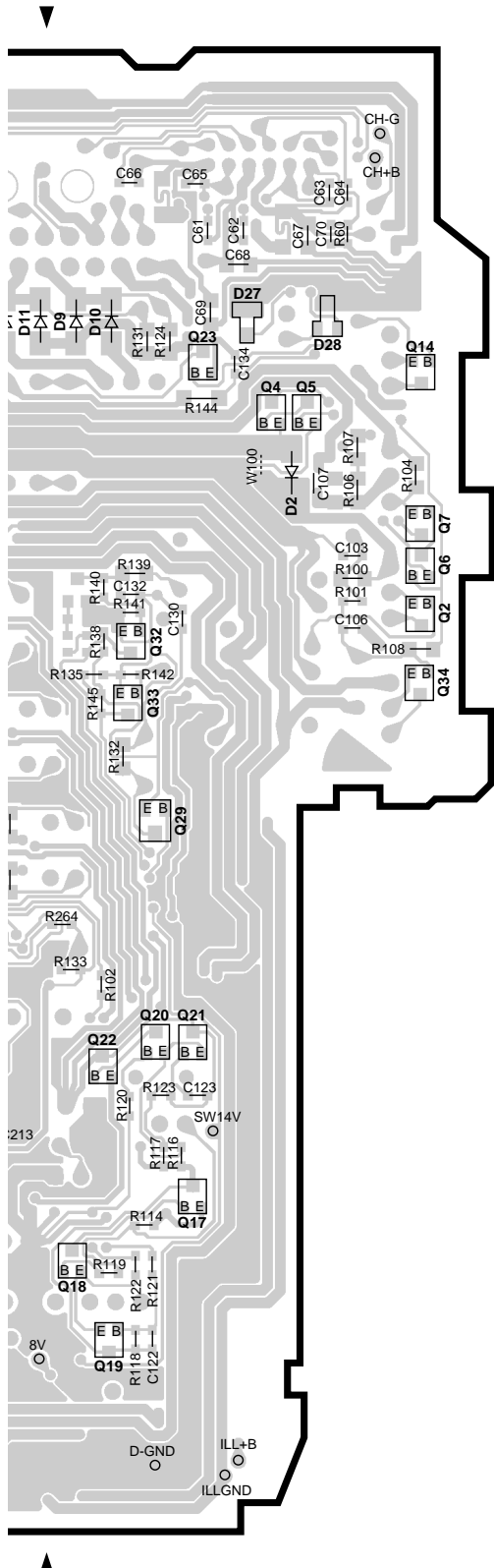
X16-2080-10

IC	Address
1	6K

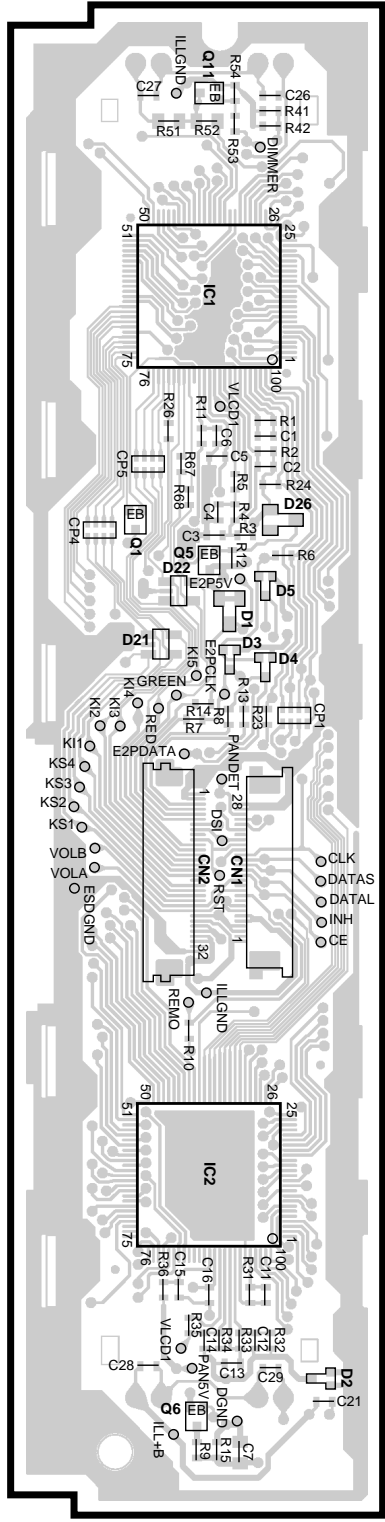
X25-9680-10

IC	Q	Address
7		5O
13		5M
14		6N
2		3Q
4		3P
5		3Q
6		3Q
7		3Q
14		2Q
17		5P
18		6P
19		6P
20		5P
21		5P
22		5P
23		2P

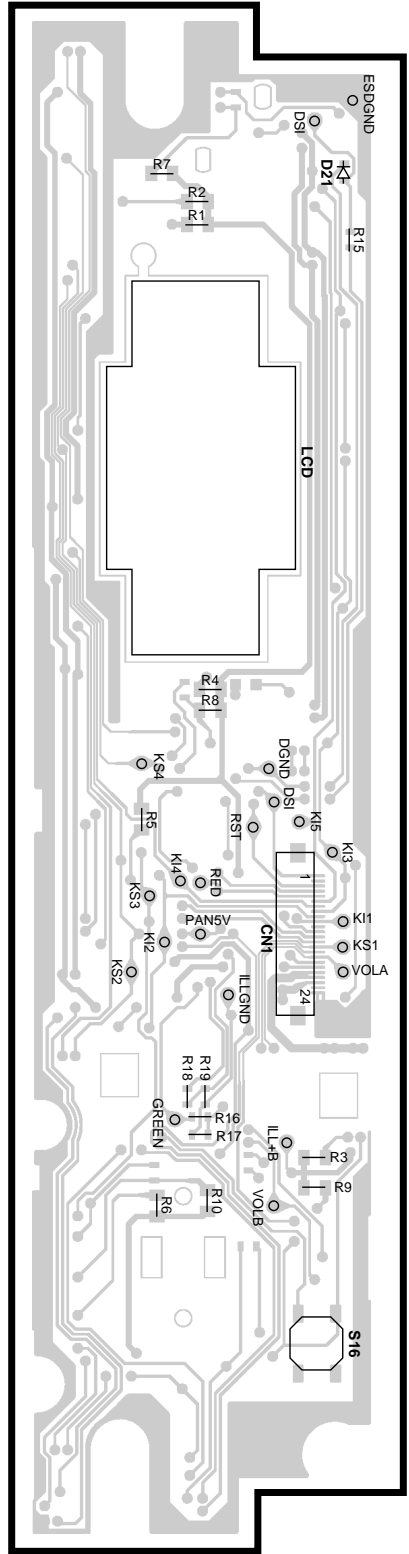
IC	Q	Address	IC	Q	Address
	27	2N		34	4Q
	28	2N		53	4N
	29	4P		54	4N
	32	3P		63	6N
	33	4P		103	3L



SUB-CIRCUIT UNIT
X16-2140-10 (J74-1479-02)



SWITCH UNIT
X16-2190-10 (J74-1484-12)



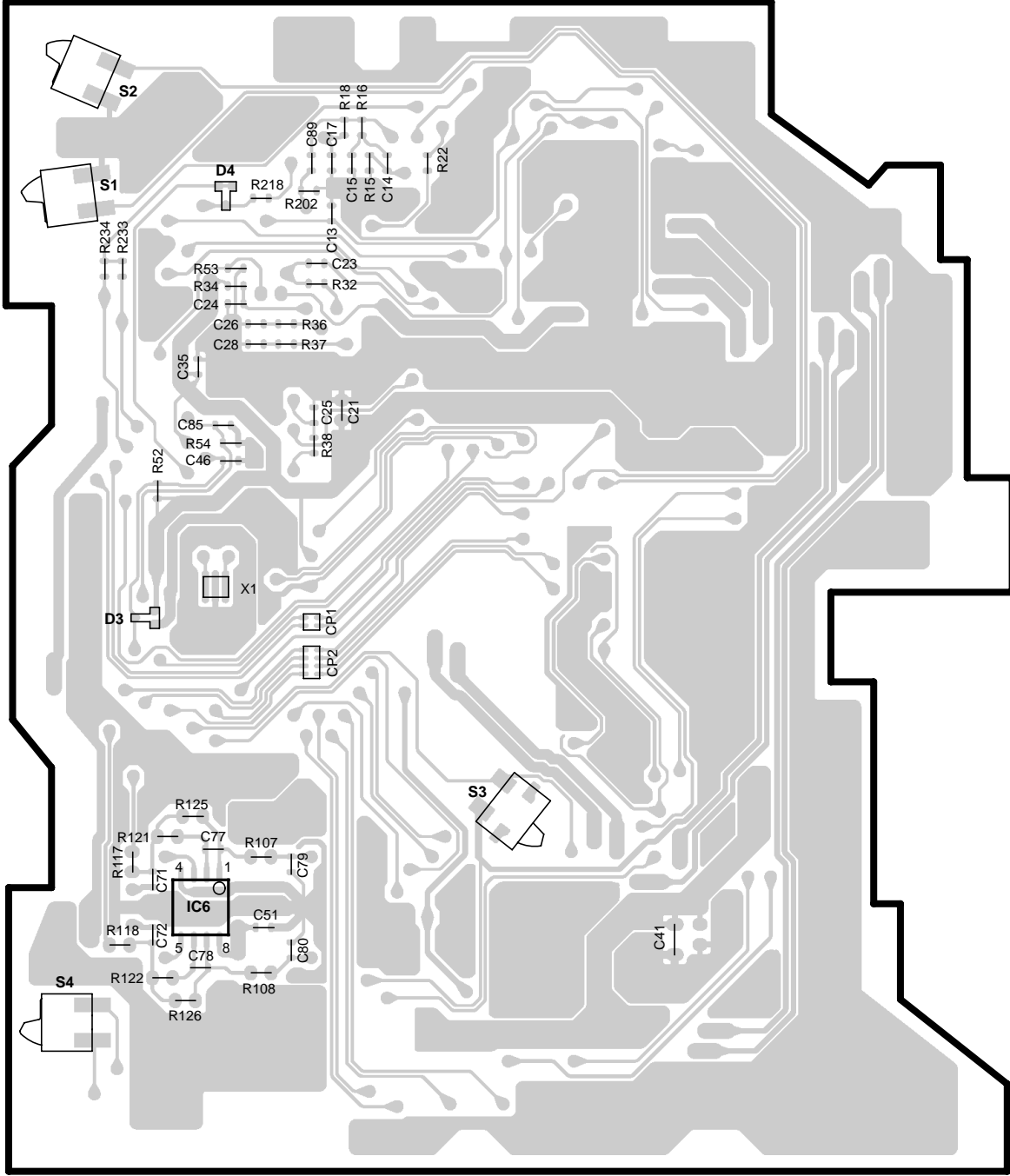
X16-2140-10

IC	Q	Address	IC	Q	Address
1		2R	5		3R
2		5R	6		6R
	1	3R	11		2R

Refer to the schematic diagram for the values of resistors and capacitors.

PC BOARD (COMPONENT SIDE VIEW)

CD PLAYER UNIT X32-5200-00 (J74-1243-02/1245-02)



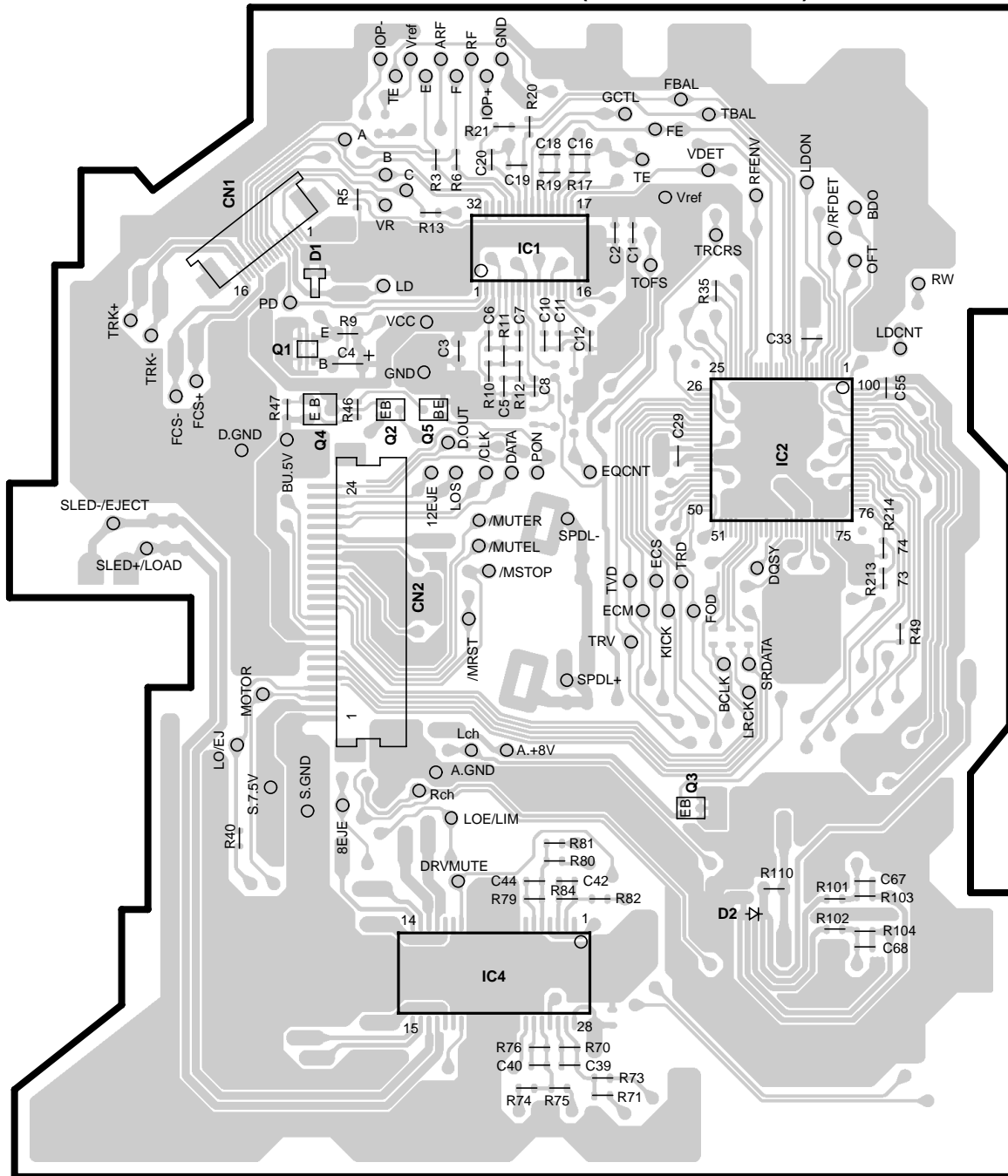
X32-5200-00

IC	Address
6	5V

Refer to the schematic diagram for the values of resistors and capacitors.

PC BOARD (FOIL SIDE VIEW)

CD PLAYER UNIT X32-5200-00 (J74-1243-02/1245-02)

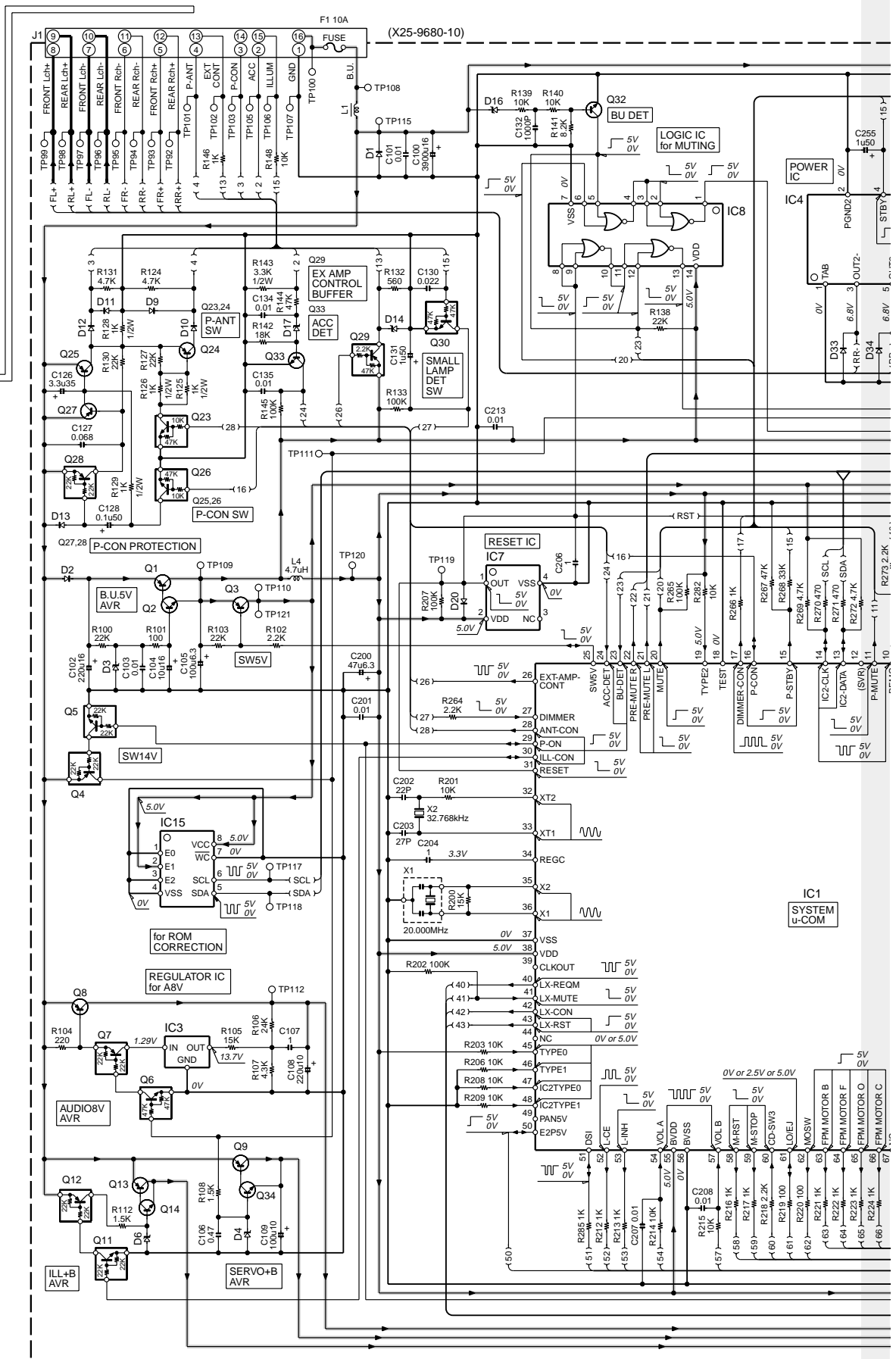


X32-5200-00

IC	Q	Address	IC	Q	Address
1		2AB	2		3AA
2		3AC	3		4AB
4		5AB	4		3AA
	1	3AA	5		3AA

Refer to the schematic diagram for the values of resistors and capacitors.

KDC-X769

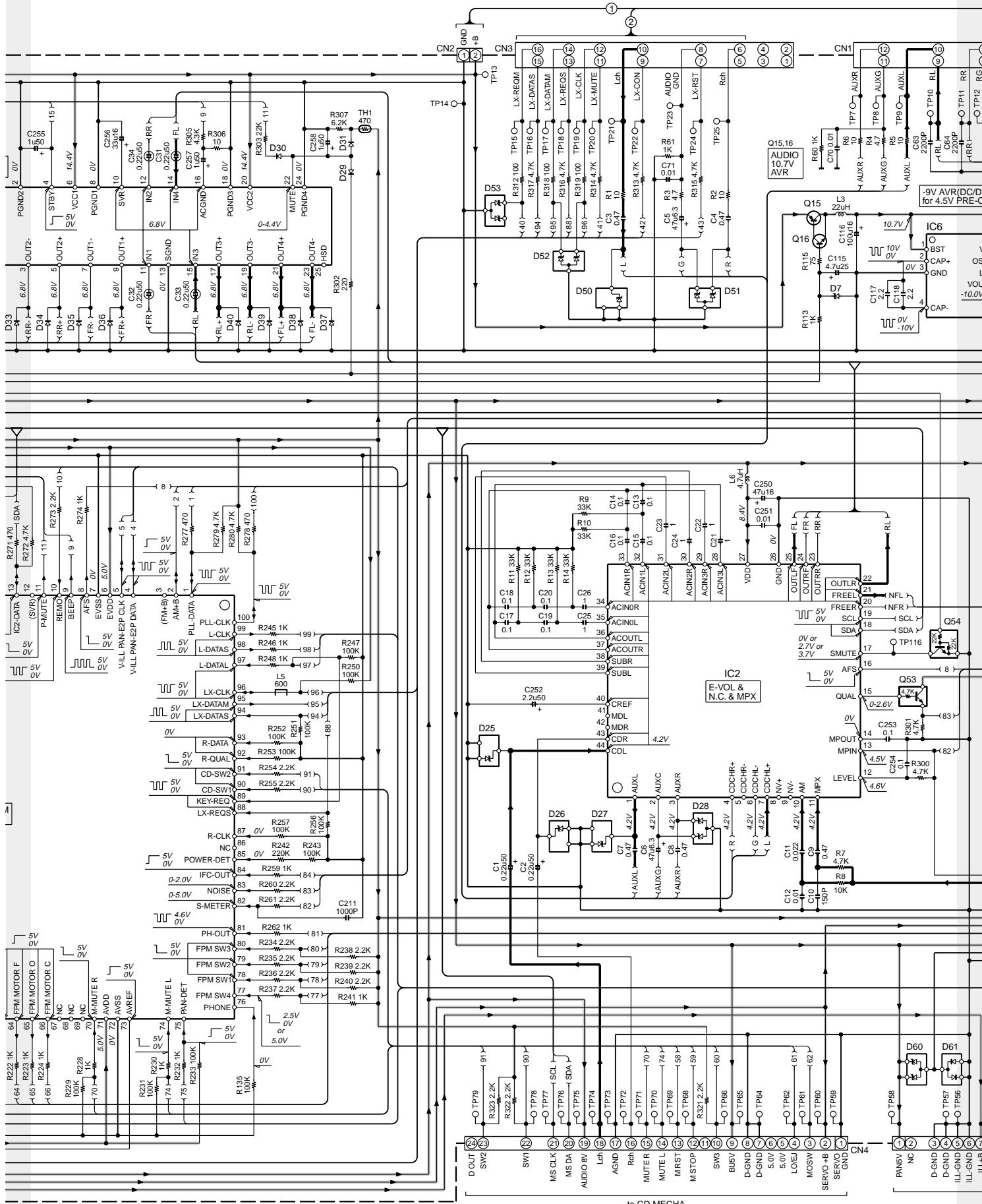


- DC CORD (E30-6062-05)
- IC1 : UPD70303GCO15
 IC2 : TDA7411
 IC3 : M5237ML
 IC4 : TDA7560
 IC6 : ICL7660SIBA
 IC7 : S-80837CNCNB
 IC8 : TC74HC02AF
 IC9-11 : NJM4558M-TE2
 IC13,14 : LB1930M
 IC15 : BR24C01AF-W
- D1 : 1N5393G-M5
 D2 : RB160L-40
 D3,8 : MA4056(N)-M
 D4 : MA4082(N)-L
 D6 : MA4110-L
 D7 : MA4110(N)-M
 D9-12,33-40 : 1SR154-400 or S1
- D13,20,29-31 : 1S3133
 D14 : MA4056-M
 D16 : MA4068(N)-M
 D17 : MA4062(N)-M
 D23,24 : DAP202U or MA142WA
 D25-27,50 : RD6.8M(B2)
 D28,51 : RD6.8MW
 D52,53,60,62 : MA3062WA
 D61,63-65 : DA204U
 D66 : IMSA-6801
- Q1,8,9,13 : 2SA2057
 Q2,14,16,17,20,21,32-34 : 2SC4081
 Q3,18,19,22,27 : 2SA1576A
 Q4,7,12,28,51,52,63 : DTA124EUA or UN5112
 Q5,11,54,102 : DTC124EUA or UN5212
 Q6,30 : DTC144EUA or UN5213
 Q15 : 2SB1443
 Q23,26 : DTC114YUA or UN5214
 Q24,25 : 2SB1240
 Q29 : DTA123JK or KRA105S
 Q53,55-60 : DTC143TUA or UN5216
 Q103 : 2SB1188(Q,R)



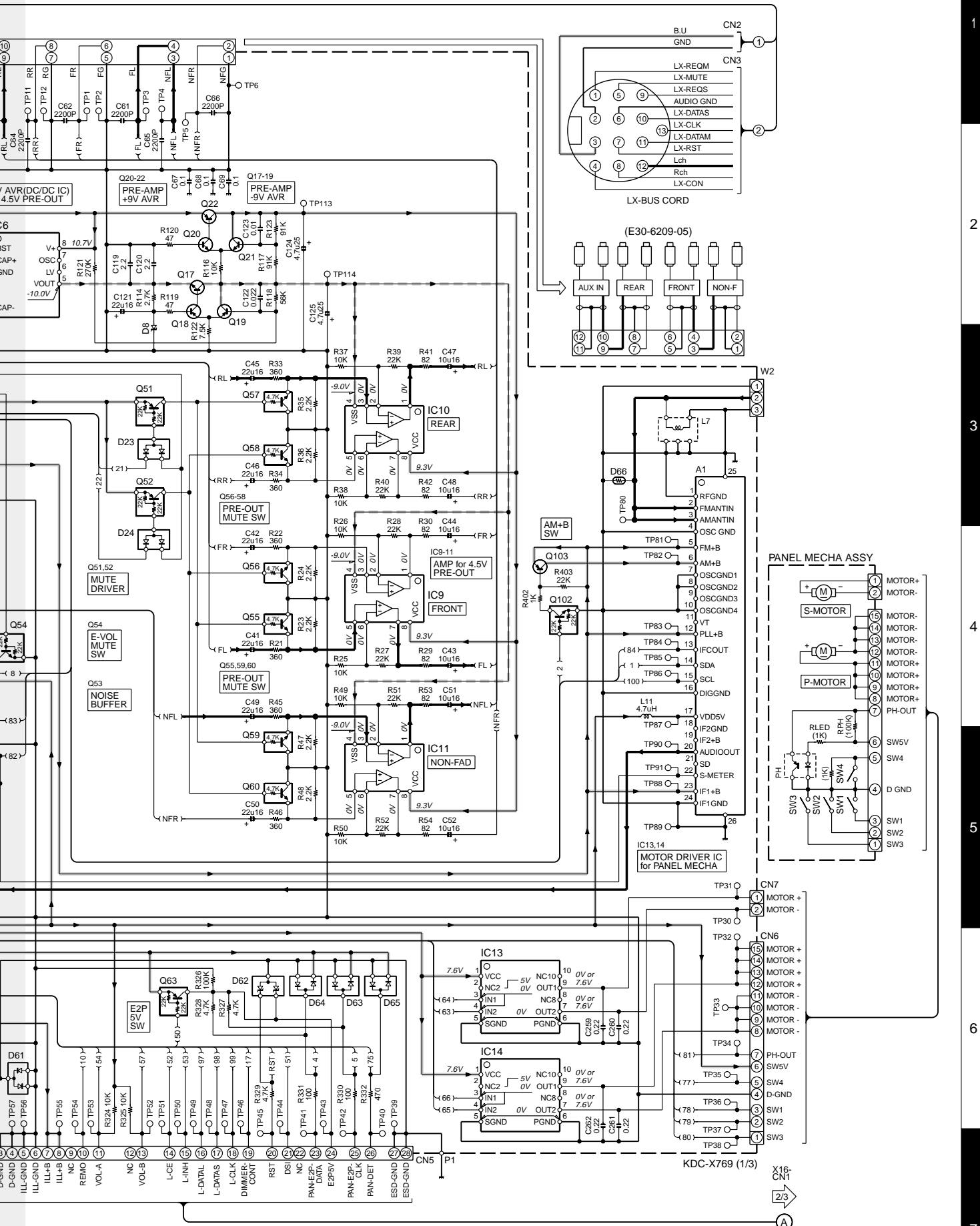
CAUTION : For continued safety, replace safety critical components only with manufacturer's recommended parts (refer to parts list).
 ⚠ Indicates safety critical components. To reduce the risk of electric shock, leakage-current or resistance measurements shall be carried out (exposed parts are acceptably insulated from the supply circuit) when the appliance is returned to the customer.

KDC-X769



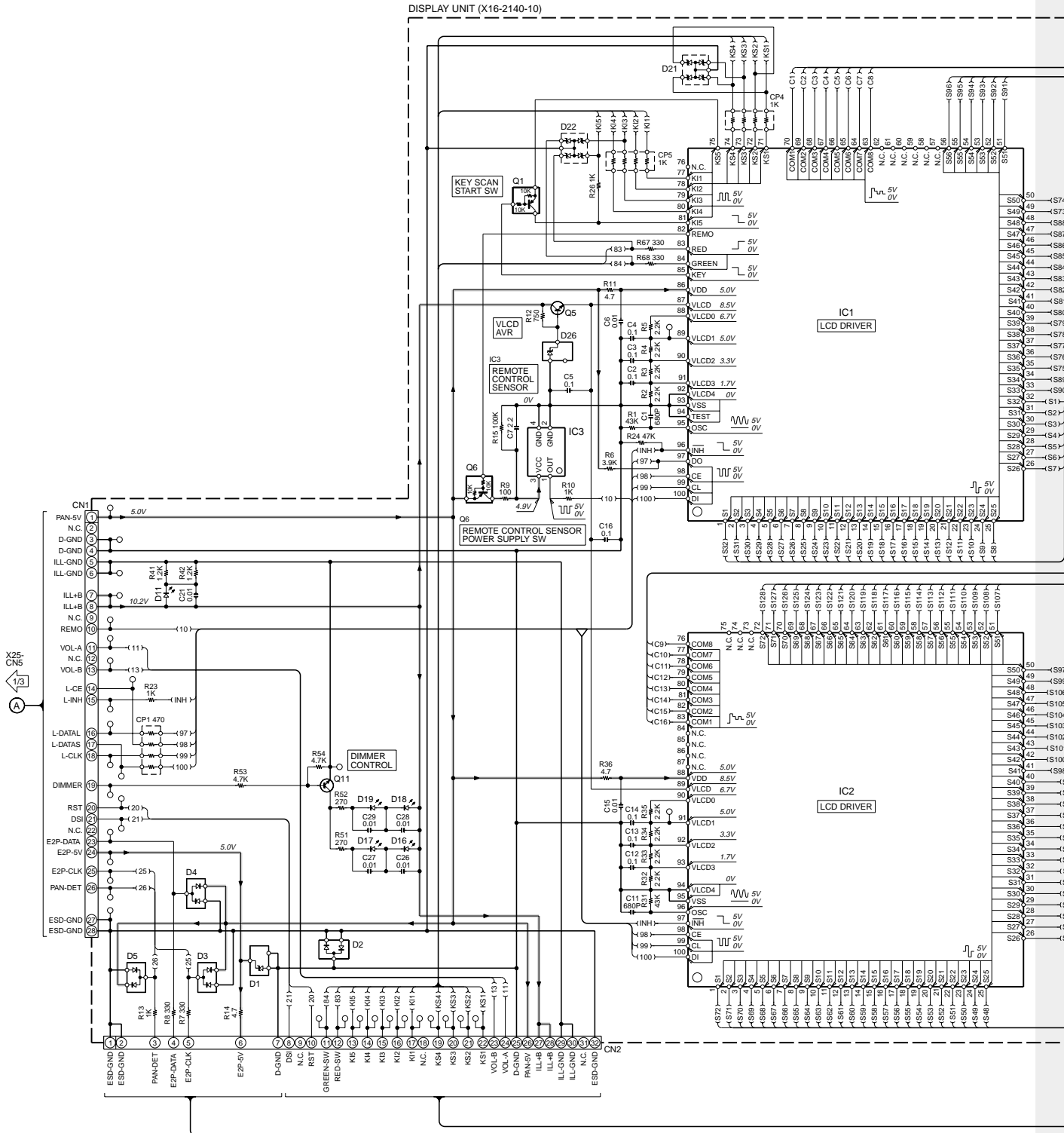
to CD MECHA

KDC-X769



1
2
3
4
5
6
7

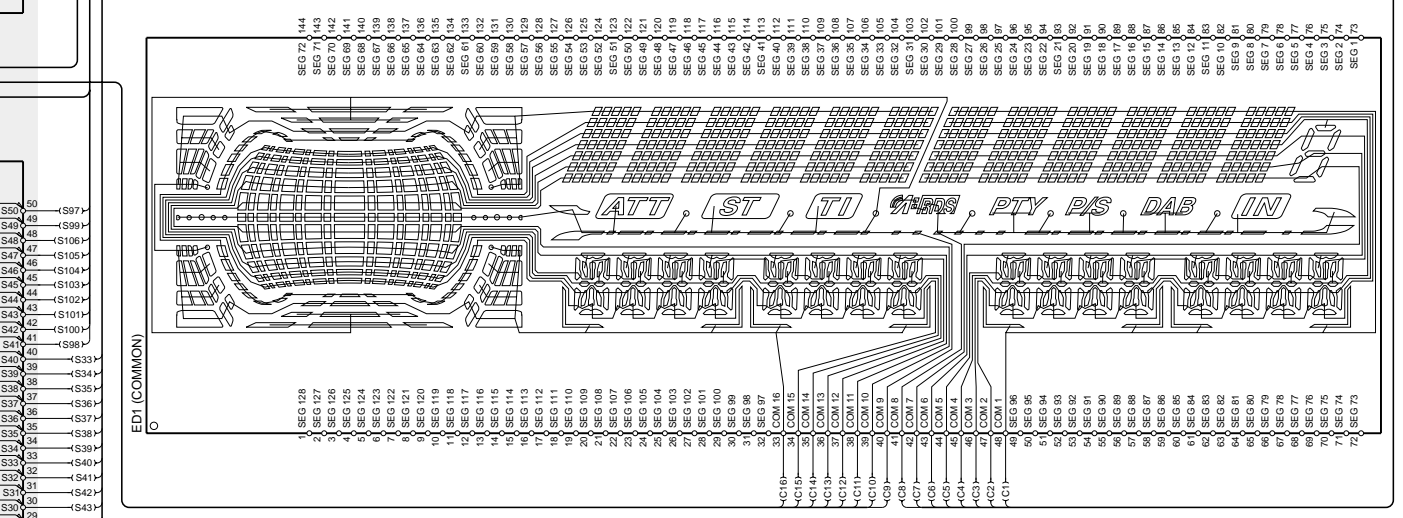
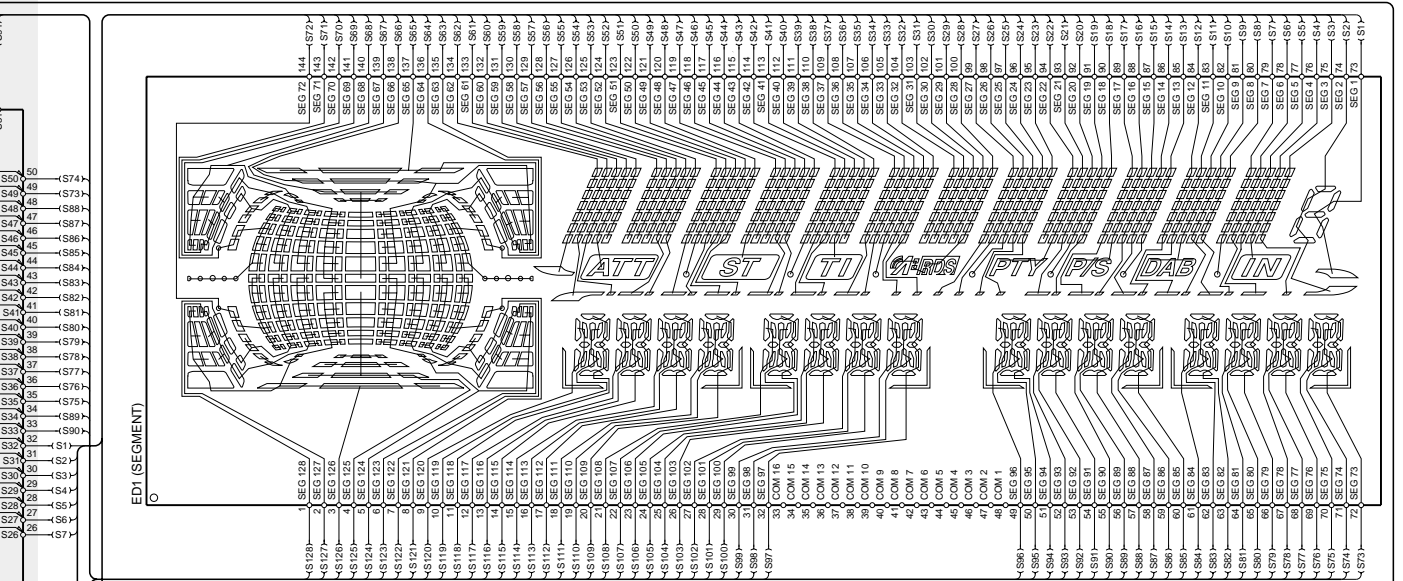
KDC-X769



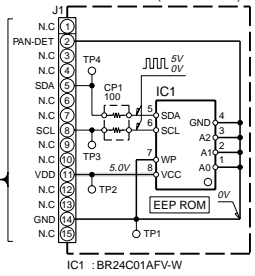
CAUTION : For continued safety, replace safety critical components only with manufacturer's recommended parts (refer to parts list).
 ⚠ Indicates safety critical components. To reduce the risk of electric shock, leakage-current or resistance measurements shall be carried out (exposed parts are acceptably insulated from the supply circuit) before the appliance is returned to the customer.

- DC voltages are as measured with a high impedance voltmeter. Values may vary slightly due to variations between individual instruments or/and units.

KDC-X769



SWITCH UNIT (X16-2080-10)

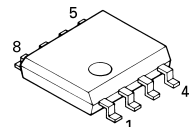
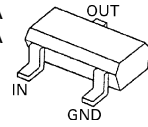
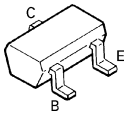
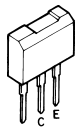
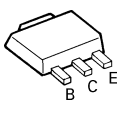


- IC1 : LC75808W
- IC2 : LC75878W
- IC3 : RS-171
- Q1,6 : DTA114EUA or UN5111
- Q5,11 : 2SC4081
- D1 : MA3062-M
- D2-5 : DA204U
- D11 : B30-1564-05
- D16-19 : B30-1571-05
- D21,22 : FTZ68E
- D26 : MA3091-M

KDC-X769 (2/3)

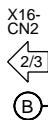
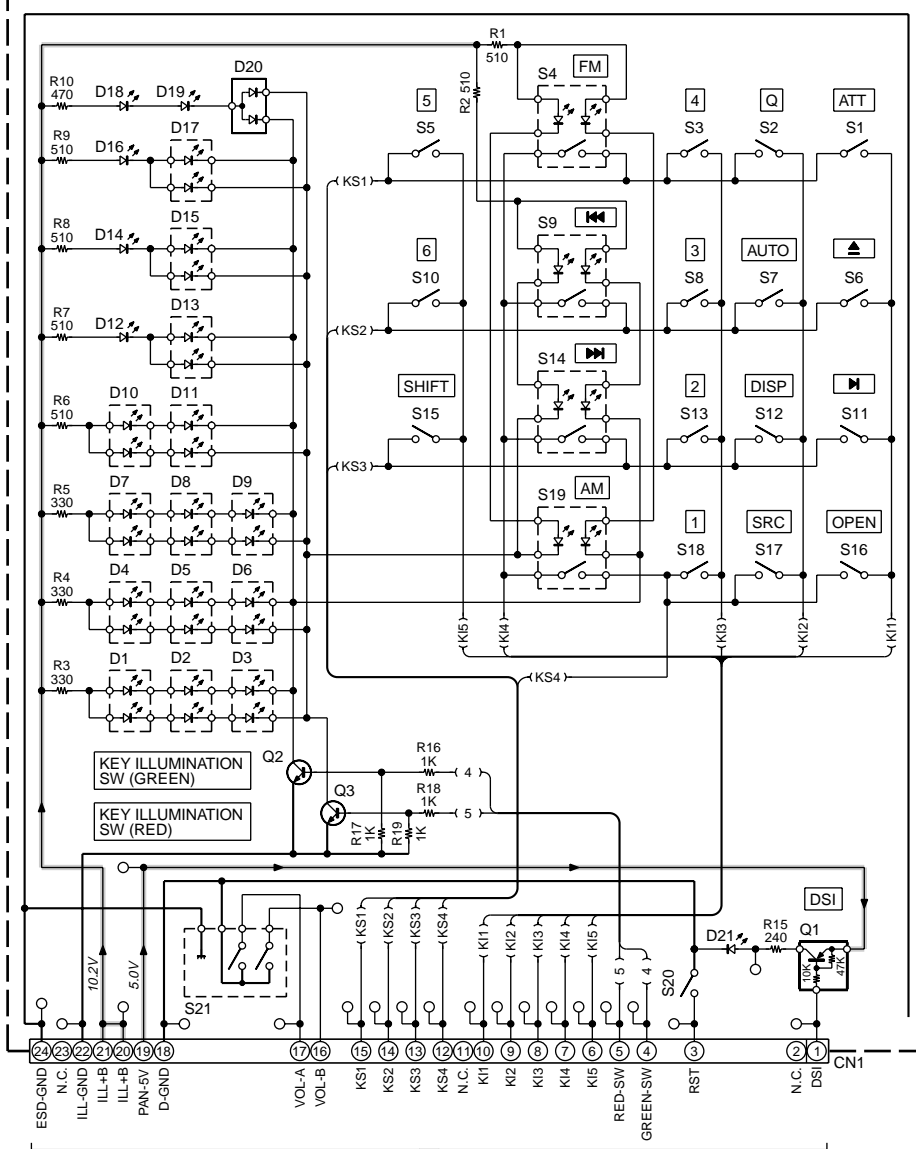
X16-CN1

- DTA123JK
- DTC114YUA
- DTC143TUA
- UN5111
- UN5114
- UN5213
- UN5214
- UN5216
- 2SA1362
- 2SA1576A
- 2SB1188
- 2SB1443
- 2SC4081
- DTA114EUA
- DTA124EUA
- DTC124EUA
- DTC144EUA
- NJM4565M-TE2



KDC-X769

SWITCH UNIT (X16-2190-10)



— GND LINE
 = +B LINE

- Q1 : DTA114YUA or UN5114
- Q2,3 : 2SC4081
- D1-11,13,15,17 : B30-1605-05
- D12,14,16,18,19,21 : B30-1566-05
- D20 : DAP202U or MA142WA

KDC-X769 (3/3)

DAN202U



DAP202U
 DA204U
 DTA114YUA



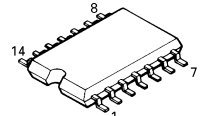
MA142WA



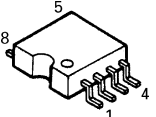
RD6.8M



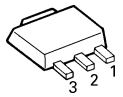
TC74HC02AF



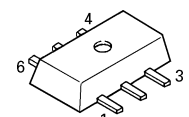
BR24C01AF-W



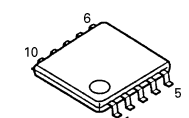
M5237ML



MCH6101



LB1930M



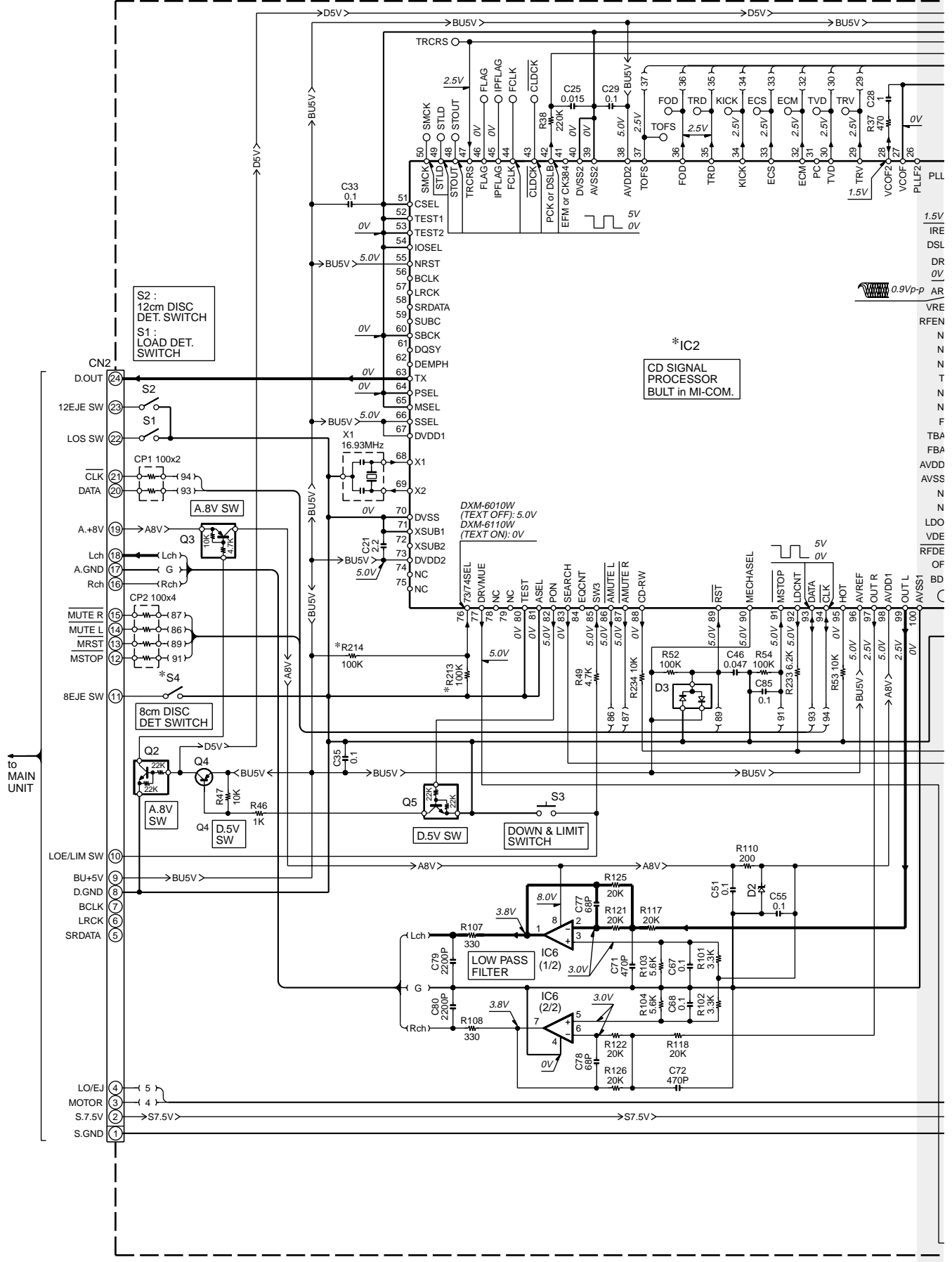
CAUTION : For continued safety, replace safety critical components only with manufacturer's recommended parts (refer to parts list).

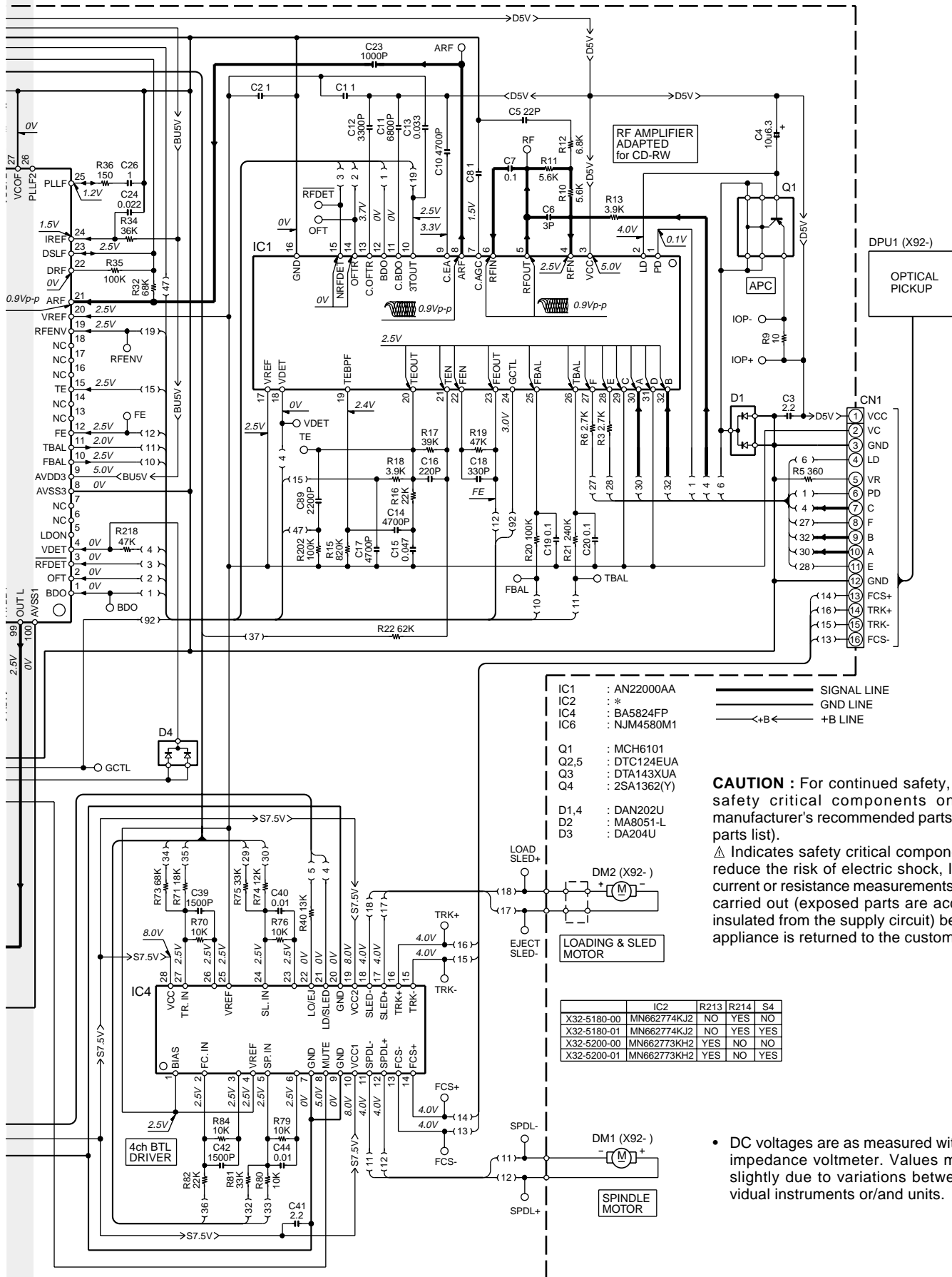
⚠ Indicates safety critical components. To reduce the risk of electric shock, leakage-current or resistance measurements shall be carried out (exposed parts are acceptably insulated from the supply circuit) before the appliance is returned to the customer.

- DC voltages are as measured with a high impedance voltmeter. Values may vary slightly due to variations between individual instruments or/and units.

KDC-X769

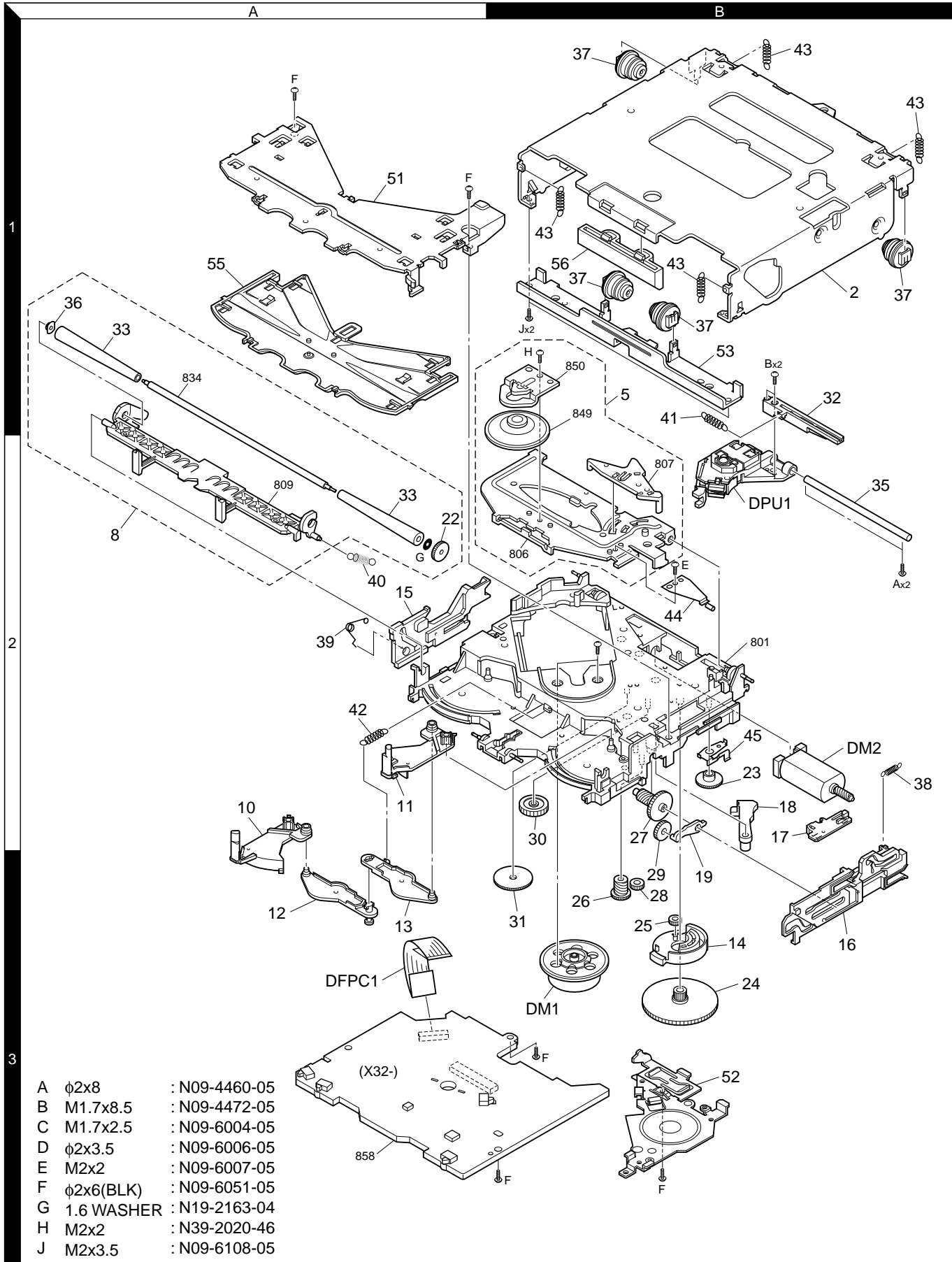
CD PLAYER UNIT (X32-5200-00)



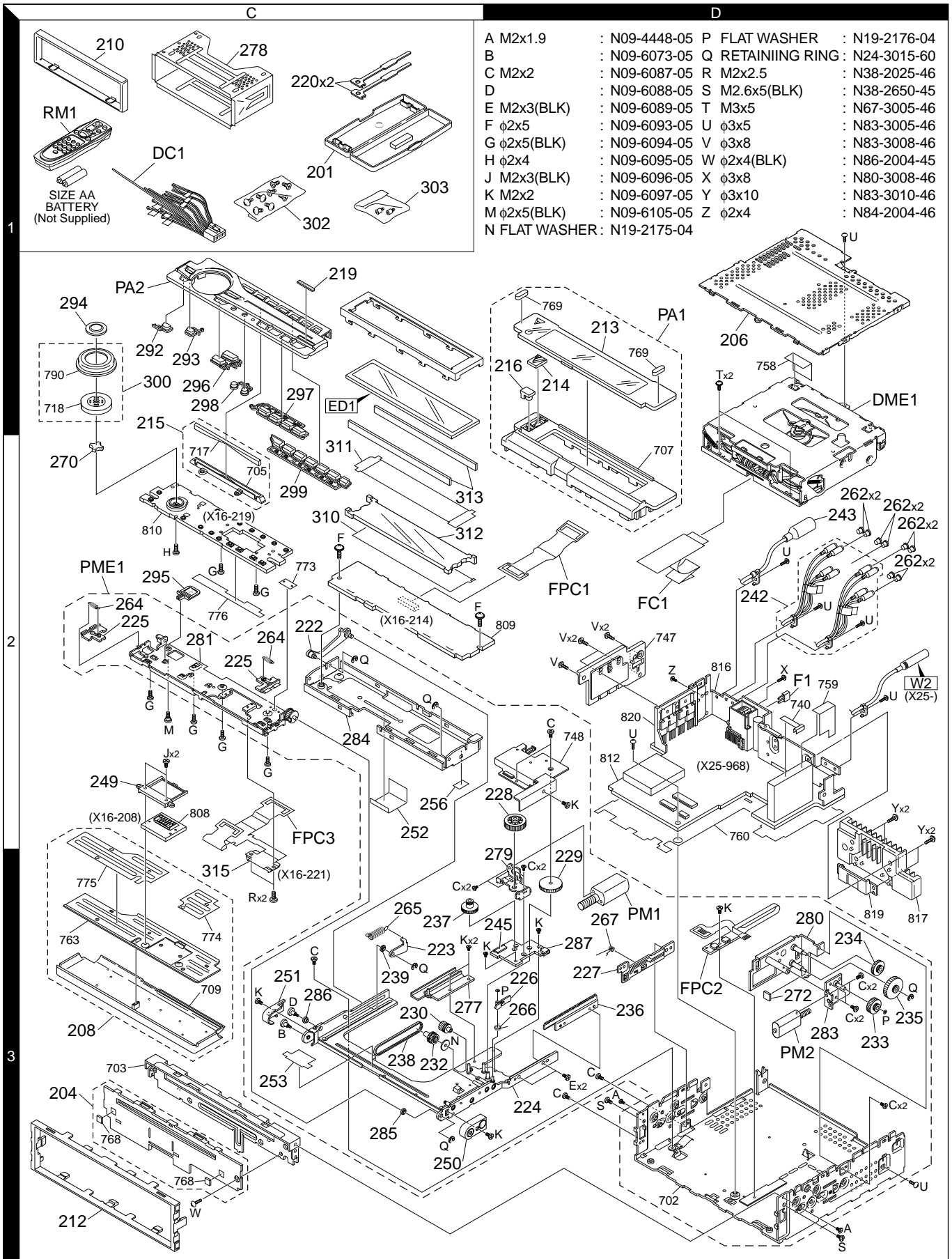


KDC-X769

EXPLODED VIEW (MECHANISM)



EXPLODED VIEW (UNIT)



KDC-X769

PARTS LIST

* New parts

Parts without **Parts No.** are not supplied.

Les articles non mentionnés dans le **Parts No.** ne sont pas fournis.

Teile ohne **Parts No.** werden nicht geliefert.

Ref. No.	A d d	N e w	Parts No.	Description	Desti- nation
KDC-X769					
201	1C	*	A02-2731-03	PLASTIC CABINET ASSY	
204	3C	*	A22-2988-03	SUB PANEL ASSY	
206	1D	*	A52-0831-02	TOP PLATE	
PA1	1D	*	A64-2980-01	PANEL ASSY	
PA2	1C	*	A64-3001-02	PANEL ASSY	
PME1	2C	*	A10-5029-11	CHASSIS ASSY	
RM1	1C	*	A70-2040-05	REMOTE CONTROLLER ASSY (RC-505)	
-			B46-0100-50	WARRANTY CARD	
-			B46-0606-04	ID CARD	
-		*	B46-0648-13	USER CARD	
-		*	B46-0653-03	USER CARD	
-			B64-2460-00	INSTRUCTION MANUAL (ENGLISH)	
-		*	B64-2461-10	INSTRUCTION MANUAL (FRE.SPA.)	
208	3C	*	B03-5016-03	DRESSING PLATE ASSY	
210	1C	*	B07-3079-01	ESCUTCHEON	
212	3C	*	B07-3080-02	ESCUTCHEON	
213	1D	*	B10-4387-01	FRONT GLASS	
214	1C	*	B12-1221-04	INDICATOR	
215	1C	*	B12-1222-03	INDICATOR ASSY	
216	1C	*	B19-2201-04	LIGHTING BOARD	
219	1C	*	B43-1505-04	KENWOOD BADGE	
220	1C		D10-4674-04	LEVER	
222	2C	*	D10-4716-04	ARM ASSY	
223	3C	*	D10-4718-04	ARM ASSY	
224	3D	*	D10-4721-11	SLIDER ASSY	
225	2C	*	D10-4749-03	LEVER	
226	3D	*	D10-4750-04	LEVER	
227	3D	*	D12-0637-03	CAM	
228	2D	*	D13-2270-04	GEAR	
229	3D	*	D13-2272-04	GEAR	
230	3C	*	D13-2273-14	GEAR	
232	3C	*	D13-2274-14	GEAR	
233	3D	*	D13-2276-04	GEAR	
234	3D	*	D13-2277-04	GEAR	
235	3D	*	D13-2278-04	GEAR	
236	3D	*	D13-2289-03	RACK (GEAR)	
237	3C	*	D13-2290-04	GEAR ASSY	
238	3C	*	D16-0617-05	BELT	
239	3C	*	D23-0958-04	RETAINER	
242	2D	*	E30-6209-05	CORD WITH PINPLUG (3PR+1AUX)	
243	2D	*	E30-6216-05	CORD WITH DIN CONNECTOR (CH)	
245	3D	*	E41-0351-05	FLAT CABLE CONNECTOR	
△ DC1	1C	*	E30-6062-05	DC CORD	
FC1	2D	*	E39-0565-05	FLAT CABLE	
249	2C	*	F07-1121-03	COVER	
250	3C	*	F07-1122-03	COVER	
251	3C	*	F07-1123-03	COVER	
252	2C	*	F09-1794-04	SHEET	
253	3C	*	F09-1798-04	SHEET	
256	2D	*	F09-1842-04	SHEET	
262	2D	*	F29-0049-05	INSULATING COVER	
△ F1	2D	*	F52-0006-05	FUSE (MINI BLADE TYPE)	

Ref. No.	A d d	N e w	Parts No.	Description	Desti- nation
264	2C	*	G01-3162-04	EXTENSION SPRING	
265	3C	*	G01-3188-04	EXTENSION SPRING	
266	3C	*	G01-3189-04	TORSION COIL SPRING	
267	3D	*	G01-3199-04	TORSION COIL SPRING	
270	2C	*	G11-3539-04	CUSHION (VOL)	
272	3D	*	G11-3559-04	CUSHION	
-		*	H10-4854-12	POLYSTYRENE FOAMED FIXTURE	
-		*	H21-1151-04	PROTECTION SHEET	
-			H25-0329-04	PROTECTION BAG (280X450X0.03)	
-			H25-0337-04	PROTECTION BAG (180X300X0.03)	
-		*	H54-2720-13	ITEM CARTON CASE	
277	3C	*	J19-5220-03	HOLDER	
278	1C		J21-9823-03	MOUNTING HARDWARE ASSY	
279	3D	*	J21-9951-03	MOUNTING HARDWARE ASSY	
280	3D	*	J21-9954-02	MOUNTING HARDWARE ASSY	
281	2C	*	J21-9956-12	MOUNTING HARDWARE ASSY	
283	3D	*	J21-9997-03	MOUNTING HARDWARE ASSY	
284	2C	*	J21-9999-02	MOUNTING HARDWARE ASSY	
285	3C	*	J31-1055-04	COLLAR	
286	3C	*	J31-1056-04	COLLAR	
287	3D	*	J74-1444-04	RIGID PRINTED WIRING BOARD	
FPC1	2D	*	J84-0153-05	FLEXIBLE PRINTED WIRING BOARD	
FPC2	3D	*	J84-0156-04	FLEXIBLE PRINTED WIRING BOARD	
292	1C	*	K24-4004-04	KNOB (PLAY)	
293	1C	*	K24-4005-04	KNOB (EJECT)	
294	1C	*	K24-4006-04	KNOB (ATT)	
295	2C	*	K24-4007-04	KNOB (OPEN)	
296	1C	*	K25-1527-03	KNOB (SRC,Q)	
297	1C	*	K25-1529-03	KNOB (AM/FM)	
298	1C	*	K25-1530-04	KNOB (SCRL)	
299	2C	*	K25-1532-03	KNOB (1-6)	
300	1C	*	K29-7031-03	KNOB ASSY (VOL)	
302	1C		N99-1723-05	SCREW SET	
303	1C	*	N99-1734-05	SCREW SET	
A	3D	*	N09-4448-05	MACHINE SCREW	
B	3C	*	N09-6073-05	STEPPED SCREW	
C	3D	*	N09-6087-05	MACHINE SCREW	
D	3C	*	N09-6088-05	STEPPED SCREW	
E	3D	*	N09-6089-05	MACHINE SCREW	
F	2C	*	N09-6093-05	TAPTITE SCREW	
G	2C	*	N09-6094-05	MACHINE SCREW	
H	2C	*	N09-6095-05	MACHINE SCREW	
J	2C	*	N09-6096-05	MACHINE SCREW	
K	3C	*	N09-6097-05	MACHINE SCREW	
M	2C	*	N09-6105-05	STEPPED SCREW	
N	2C	*	N19-2175-04	FLAT WASHER	
P	3D	*	N19-2176-04	FLAT WASHER	
Q	2C		N24-3015-60	E TYPE RETAINING RING	
R	3C		N38-2025-46	PAN HEAD MACHIN SCREW	
S	3D	*	N38-2650-45	PAN HEAD MACHIN SCREW	
T	2D		N67-3005-46	PAN HEAD SEMS SCREW	
U	2D		N83-3005-46	PAN HEAD TAPTITE SCREW	
V	2D		N83-3008-46	PAN HEAD TAPTITE SCREW	

K : North America

△ Indicates safety critical components.

PARTS LIST

* New parts

Parts without **Parts No.** are not supplied.

Les articles non mentionnés dans le **Parts No.** ne sont pas fournis.

Teile ohne **Parts No.** werden nicht geliefert.

KDC-X769

Ref. No.	Added	New	Parts No.	Description	Destination
W	3C		N86-2004-45	BINDING HEAD TAPTITE SCREW	
RLED			RK73GB2A102J	CHIP R 1.0K J 1/10W	
RPH			RK73GB2A104J	CHIP R 100K J 1/10W	
SW1			S68-0871-05	PUSH SWITCH (PANEL MECHA)	
SW2-3			S68-0863-05	PUSH SWITCH (PANEL MECHA)	
SW4			S68-0864-05	PUSH SWITCH (PANEL MECHA)	
PH			T95-0212-05	OPTO ISOLATOR (PANEL MECHA)	
PM1	3D	*	T42-1076-14	MOTOR ASSY	
PM2	3D	*	T42-1077-04	MOTOR ASSY	
DME1	1D		X92-4450-01	MECHANISM ASSY	
SUB-CIRCUIT UNIT (X16-2080-10)					
J1			E59-0833-15	RECTANGULAR PLUG	
CP1			R90-1019-05	MULTI-COMP 100 X2	
IC1		*	BR24C01AFV-W	MEMORY IC	
SUB-CIRCUIT UNIT (X16-2140-10)					
310	2C	*	B11-1405-04	REFLECTION SHEET	
311	2C	*	B11-1406-04	OPTICAL DIFFUSER	
312	2C	*	B19-2204-02	LIGHTING BOARD	
D11			B30-1564-05	LED (1608, BLUE)	
D16-19			B30-1571-05	LED (WHITE)	
ED1		*	B38-1119-05	LIQUID CRYSTAL	
C1			CC73GCH1H681J	CHIP C 680PF J	
C2-5			CK73GB1C104K	CHIP C 0.10UF K	
C2-5			CK73GB1H104K	CHIP C 0.10UF K	
C6			CK73GB1H103K	CHIP C 0.010UF K	
C7			CK73FB1A225K	CHIP C 2.2UF K	
C11			CC73GCH1H681J	CHIP C 680PF J	
C12-14			CK73GB1C104K	CHIP C 0.10UF K	
C12-14			CK73GB1H104K	CHIP C 0.10UF K	
C15			CK73GB1H103K	CHIP C 0.010UF K	
C16			CK73GB1C104K	CHIP C 0.10UF K	
C16			CK73GB1H104K	CHIP C 0.10UF K	
C21			CK73GB1H103K	CHIP C 0.010UF K	
C26-29			CK73GB1H103K	CHIP C 0.010UF K	
313	2C	*	E29-1930-04	CONDUCTIVE RUBBER	
CN1			E40-9364-05	FLAT CABLE CONNECTOR	
CN2			E41-0166-05	FLAT CABLE CONNECTOR	
CP1			R90-1016-05	MULTI-COMP 470 X4	
CP4.5			R90-0724-05	MULTI-COMP 1K X4	
R1			RK73GB2A433J	CHIP R 43K J 1/10W	
R2-5			RK73GB2A222J	CHIP R 2.2K J 1/10W	
R6			RK73GB2A392J	CHIP R 3.9K J 1/10W	
R7,8			RK73GB2A331J	CHIP R 330 J 1/10W	
R9			RK73GB2A101J	CHIP R 100 J 1/10W	
R10			RK73GB2A102J	CHIP R 1.0K J 1/10W	
R11			RK73GB2A4R7J	CHIP R 4.7 J 1/10W	
R12			RK73GB2A751J	CHIP R 750 J 1/10W	
R13			RK73GB2A102J	CHIP R 1.0K J 1/10W	
R14			RK73GB2A4R7J	CHIP R 4.7 J 1/10W	

Ref. No.	Added	New	Parts No.	Description	Destination
R15			RK73GB2A104J	CHIP R 100K J 1/10W	
R23			RK73GB2A102J	CHIP R 1.0K J 1/10W	
R24			RK73GB2A473J	CHIP R 47K J 1/10W	
R26			RK73GB2A102J	CHIP R 1.0K J 1/10W	
R31			RK73GB2A433J	CHIP R 43K J 1/10W	
R32-35			RK73GB2A222J	CHIP R 2.2K J 1/10W	
R36			RK73GB2A4R7J	CHIP R 4.7 J 1/10W	
R41,42			RK73GB2A122J	CHIP R 1.2K J 1/10W	
R51,52			RK73FB2B271J	CHIP R 270 J 1/8W	
R53,54			RK73GB2A472J	CHIP R 4.7K J 1/10W	
R67,68			RK73GB2A331J	CHIP R 330 J 1/10W	
D1			MA3062-M	ZENER DIODE	
D2-5			DA204U	DIODE	
D21,22			FTZ6.8E	ZENER DIODE	
D26			MA3091-M	ZENER DIODE	
IC1			LC75808W	MOS-IC	
IC2			LC75878W	MOS-IC	
IC3			RS-171	ANALOGUE IC	
Q1			DTA114EUA	DIGITAL TRANSISTOR	
Q1			UN5111	DIGITAL TRANSISTOR	
Q5			2SC4081	TRANSISTOR	
Q6			DTA114EUA	DIGITAL TRANSISTOR	
Q6			UN5111	DIGITAL TRANSISTOR	
Q11			2SC4081	TRANSISTOR	
SWITCH UNIT (X16-2190-10)					
D1-11			B30-1605-05	LED (2COLOR PG/RED)	
D12			B30-1566-05	LED (1608, RED)	
D13			B30-1605-05	LED (2COLOR PG/RED)	
D14			B30-1566-05	LED (1608, RED)	
D15			B30-1605-05	LED (2COLOR PG/RED)	
D16			B30-1566-05	LED (1608, RED)	
D17			B30-1605-05	LED (2COLOR PG/RED)	
D18,19			B30-1566-05	LED (1608, RED)	
D21			B30-1566-05	LED (1608, RED)	
CN1		*	E41-0419-05	FLAT CABLE CONNECTOR	
R1,2			RK73FB2B511J	CHIP R 510 J 1/8W	
R3-5			RK73FB2B331J	CHIP R 330 J 1/8W	
R6-9			RK73FB2B511J	CHIP R 510 J 1/8W	
R10			RK73FB2B471J	CHIP R 470 J 1/8W	
R15			RK73GB2A241J	CHIP R 240 J 1/10W	
R16-19			RK73GB2A102J	CHIP R 1.0K J 1/10W	
S1		*	S70-0901-05	TACT SWITCH	
S2,3			S70-0864-05	TACT SWITCH	
S4			S70-0856-05	TACT SWITCH	
S5-8			S70-0864-05	TACT SWITCH	
S9			S70-0856-05	TACT SWITCH	
S10-13			S70-0864-05	TACT SWITCH	
S14			S70-0856-05	TACT SWITCH	
S15-18			S70-0864-05	TACT SWITCH	
S19			S70-0856-05	TACT SWITCH	
S20			S70-0864-05	TACT SWITCH	
S21		*	T99-0445-05	ROTARY ENCODER	

K : North America

△ Indicates safety critical components.

PARTS LIST

* New parts

Parts without **Parts No.** are not supplied.

Les articles non mentionnés dans le **Parts No.** ne sont pas fournis.

Teile ohne **Parts No.** werden nicht geliefert.

SWITCH UNIT (X16-2190-10)

Ref. No.	A d	N e w	Parts No.	Description	Desti- nation
D20			DAP202U	DIODE	
D20			MA142WA	DIODE	
Q1			DTA114YUA	DIGITAL TRANSISTOR	
Q1			UN5114	DIGITAL TRANSISTOR	
Q2,3			2SC4081	TRANSISTOR	
SUB-CIRCUIT UNIT (X16-2210-10)					
315	2C	*	E58-0968-05	RECTANGULAR RECEPTACLE	
FPC3	2C	*	J84-0154-05	FLEXIBLE PRINTED WIRING BOARD	
ELECTRIC UNIT (X25-9680-10)					
C1,2			C90-2604-05	ELECTRO 0.22UF 50WV	
C3,4			CK73FB1C474K	CHIP C 0.47UF K	
C5,6			CE04NW0J470M	ELECTRO 47UF 6.3WV	
C7,8			CK73FB1C474K	CHIP C 0.47UF K	
C9			CK73GB1A474K	CHIP C 0.47UF K	
C10			CC73GCH1H151J	CHIP C 150PF J	
C11			CK73GB1E223K	CHIP C 0.022UF K	
C11			CK73GB1H223K	CHIP C 0.022UF K	
C12			CK73GB1H103K	CHIP C 0.010UF K	
C13-16			CK73FB1H104K	CHIP C 0.10UF K	
C17-20			CK73GB1C104K	CHIP C 0.10UF K	
C17-20			CK73GB1H104K	CHIP C 0.10UF K	
C21-26			CK73FB1C105K	CHIP C 1.0UF K	
C31-34			C90-5296-05	NP-ELECT 0.22UF 50WV	
C41,42			CE04CW1C220M	ELECTRO 22UF 16WV	
C43,44			CE04NW1C100M	ELECTRO 10UF 16WV	
C45,46			CE04NW1C220M	ELECTRO 22UF 16WV	
C47,48			CE04NW1C100M	ELECTRO 10UF 16WV	
C49,50			CE04NW1C220M	ELECTRO 22UF 16WV	
C51,52			CE04NW1C100M	ELECTRO 10UF 16WV	
C61-66			CK73GB1H222K	CHIP C 2200PF K	
C67-69			CK73FB1H104K	CHIP C 0.10UF K	
C70,71			CK73GB1H103K	CHIP C 0.010UF K	
C100			C90-5484-05	ELECTRO 3900UF 16WV	
C101			CK73GB1H103K	CHIP C 0.010UF K	
C102			C90-2866-05	ELECTRO 220UF 16WV	
C103			CK73GB1H103K	CHIP C 0.010UF K	
C104			CE04NW1C100M	ELECTRO 10UF 16WV	
C105			CE04NW0J101M	ELECTRO 100UF 6.3WV	
C106			CK73GB1A474K	CHIP C 0.47UF K	
C107			CK73FB1C105K	CHIP C 1.0UF K	
C108			CE04CW1A221M	ELECTRO 220UF 10WV	
C109			CE04CW1A101M	ELECTRO 100UF 10WV	
C115			CE04NW1E4R7M	ELECTRO 4.7UF 25WV	
C116			C90-2962-05	ELECTRO 100UF 16WV	
C117-120			CK73EB1C225K	CHIP C 2.2UF K	
C121			CE04NW1C220M	ELECTRO 22UF 16WV	
C122			CK73GB1E223K	CHIP C 0.022UF K	
C122			CK73GB1H223K	CHIP C 0.022UF K	
C123			CK73GB1H103K	CHIP C 0.010UF K	
C124,125			CE04NW1E4R7M	ELECTRO 4.7UF 25WV	
C126			CE04NW1V3R3M	ELECTRO 3.3UF 35WV	
C127			CK73GB1C683K	CHIP C 0.068UF K	
C127			CK73GB1H683K	CHIP C 0.068UF K	
C128			CE04NW1H0R1M	ELECTRO 0.1UF 50WV	

Ref. No.	A d	N e w	Parts No.	Description	Desti- nation
C130			CK73GB1E223K	CHIP C 0.022UF K	
C130			CK73GB1H223K	CHIP C 0.022UF K	
C131			CE04NW1H010M	ELECTRO 1.0UF 50WV	
C132			CK73GB1H102K	CHIP C 1000PF K	
C134,135			CK73GB1H103K	CHIP C 0.010UF K	
C200			CE04NW0J470M	ELECTRO 47UF 6.3WV	
C201			CK73GB1H103K	CHIP C 0.010UF K	
C202			CC73GCH1H220J	CHIP C 22PF J	
C203			CC73GCH1H270J	CHIP C 27PF J	
C204			CK73GB0J105K	CHIP C 1.0UF K	
C206			CK73GB0J105K	CHIP C 1.0UF K	
C207,208			CK73GB1H103K	CHIP C 0.010UF K	
C211			CK73GB1H102K	CHIP C 1000PF K	
C213			CK73GB1H103K	CHIP C 0.010UF K	
C250			CE04NW1C470M	ELECTRO 47UF 16WV	
C251			CK73GB1H103K	CHIP C 0.010UF K	
C252			CE04MW1H2R2M	ELECTRO 2.2UF 50WV	
C253,254			CK73GB1C104K	CHIP C 0.10UF K	
C253,254			CK73GB1H104K	CHIP C 0.10UF K	
C255			CE04NW1H010M	ELECTRO 1.0UF 50WV	
C256			CE04NW1C330M	ELECTRO 33UF 16WV	
C257			C90-2935-05	ELECTRO 1.0UF 50WV	
C258			CE04NW1H010M	ELECTRO 1.0UF 50WV	
C259-262			CK73GB1A224K	CHIP C 0.22UF K	
CN1			E41-0224-05	PIN ASSY	
CN2			E40-3237-05	PIN ASSY	
CN3		*	E41-0384-05	PIN ASSY	
CN4			E40-9527-05	FLAT CABLE CONNECTOR	
CN4			E41-0213-05	FLAT CABLE CONNECTOR	
CN5			E40-9368-05	FLAT CABLE CONNECTOR	
CN6		*	E41-0399-05	FLAT CABLE CONNECTOR	
CN7			E41-0009-05	PIN ASSY	
△ J1		*	E58-0863-15	RECTANGULAR RECEPTACLE	
W2		*	E30-6218-05	CORD WITH PLUG	
L1			L33-1170-05	CHOKE COIL ASSY	
L3			L40-2205-91	SMALL FIXED INDUCTOR (22UH,J)	
L4			L40-4795-91	SMALL FIXED INDUCTOR (4.7UH,J)	
L5			L92-0075-05	CHIP FERRITE	
L6			L40-4795-91	SMALL FIXED INDUCTOR (4.7UH,J)	
L7			L33-1039-05	LINE FILTER COIL	
L11			L40-4795-34	SMALL FIXED INDUCTOR	
L11			L40-4795-68	SMALL FIXED INDUCTOR (4.7UH)	
X1			L78-0821-05	RESONATOR	
X2			L77-2738-05	CRYSTAL RESONATOR	
U		2D	N83-3005-46	PAN HEAD TAPTITE SCREW	
X		2D	N80-3008-46	PAN HEAD TAPTITE SCREW	
Y		2D	N83-3010-46	PAN HEAD TAPTITE SCREW	
Z		2D	N84-2004-46	PAN HEAD TAPTITE SCREW	
R1,2			RK73EB2E100J	CHIP R 10 J 1/4W	
R3,4			RK73EB2E4R7J	CHIP R 4.7 J 1/4W	
R5,6			RK73EB2E100J	CHIP R 10 J 1/4W	
R7			RK73GB2A472J	CHIP R 4.7K J 1/10W	
R8			RK73GB2A103J	CHIP R 10K J 1/10W	
R9-14			RK73GB2A333J	CHIP R 33K J 1/10W	

K : North America

△ Indicates safety critical components.

PARTS LIST

* New parts

Parts without **Parts No.** are not supplied.

Les articles non mentionnés dans le **Parts No.** ne sont pas fournis.

Teile ohne **Parts No.** werden nicht geliefert.

ELECTRIC UNIT (X25-9680-10)

Ref. No.	Add	New	Parts No.	Description	Destination	Ref. No.	Add	New	Parts No.	Description	Destination
R21,22			RK73FB2B361J	CHIP R 360 J 1/8W		R200			RK73GB2A153J	CHIP R 15K J 1/10W	
R23,24			RK73FB2B222J	CHIP R 2.2K J 1/8W		R201			RK73GB2A103J	CHIP R 10K J 1/10W	
R25,26			RK73FB2B103J	CHIP R 10K J 1/8W		R202			RK73GB2A104J	CHIP R 100K J 1/10W	
R27,28			RK73FB2B223J	CHIP R 22K J 1/8W		R203			RK73GB2A103J	CHIP R 10K J 1/10W	
R29,30			RK73FB2B820J	CHIP R 82 J 1/8W		R206			RK73GB2A103J	CHIP R 10K J 1/10W	
R33,34			RK73FB2B361J	CHIP R 360 J 1/8W		R207			RK73GB2A104J	CHIP R 100K J 1/10W	
R35,36			RK73FB2B222J	CHIP R 2.2K J 1/8W		R208,209			RK73GB2A103J	CHIP R 10K J 1/10W	
R37,38			RK73FB2B103J	CHIP R 10K J 1/8W		R212,213			RK73GB2A102J	CHIP R 1.0K J 1/10W	
R39,40			RK73FB2B223J	CHIP R 22K J 1/8W		R214,215			RK73GB2A103J	CHIP R 10K J 1/10W	
R41,42			RK73FB2B820J	CHIP R 82 J 1/8W		R216,217			RK73GB2A102J	CHIP R 1.0K J 1/10W	
R45,46			RK73FB2B361J	CHIP R 360 J 1/8W		R218			RK73GB2A222J	CHIP R 2.2K J 1/10W	
R47,48			RK73FB2B222J	CHIP R 2.2K J 1/8W		R219,220			RK73GB2A101J	CHIP R 100 J 1/10W	
R49,50			RK73FB2B103J	CHIP R 10K J 1/8W		R221-224			RK73GB2A102J	CHIP R 1.0K J 1/10W	
R51,52			RK73FB2B223J	CHIP R 22K J 1/8W		R228			RK73GB2A102J	CHIP R 1.0K J 1/10W	
R53,54			RK73FB2B820J	CHIP R 82 J 1/8W		R229			RK73GB2A104J	CHIP R 100K J 1/10W	
R60,61			RK73GB2A102J	CHIP R 1.0K J 1/10W		R230			RK73GB2A102J	CHIP R 1.0K J 1/10W	
R100			RK73FB2B223J	CHIP R 22K J 1/8W		R231			RK73GB2A104J	CHIP R 100K J 1/10W	
R101			RK73GB2A101J	CHIP R 100 J 1/10W		R232			RK73GB2A102J	CHIP R 1.0K J 1/10W	
R102			RK73GB2A222J	CHIP R 2.2K J 1/10W		R233			RK73GB2A104J	CHIP R 100K J 1/10W	
R103			RK73GB2A223J	CHIP R 22K J 1/10W		R234-240			RK73GB2A222J	CHIP R 2.2K J 1/10W	
R104			RK73FB2B221J	CHIP R 220 J 1/8W		R241			RK73GB2A102J	CHIP R 1.0K J 1/10W	
R105			RK73GB2A153J	CHIP R 15K J 1/10W		R242			RK73GB2A224J	CHIP R 220K J 1/10W	
R106			R92-3047-05	CHIP R 24K D 1/10W		R243			RK73GB2A104J	CHIP R 100K J 1/10W	
R107			R92-3032-05	CHIP R 4.3K D 1/10W		R245,246			RK73GB2A102J	CHIP R 1.0K J 1/10W	
R108			RK73FB2B152J	CHIP R 1.5K J 1/8W		R247			RK73GB2A104J	CHIP R 100K J 1/10W	
R112			RK73FB2B152J	CHIP R 1.5K J 1/8W		R248			RK73GB2A102J	CHIP R 1.0K J 1/10W	
R113			RK73GB2A102J	CHIP R 1.0K J 1/10W		R250-253			RK73GB2A104J	CHIP R 100K J 1/10W	
R114			RK73GB2A272J	CHIP R 2.7K J 1/10W		R254,255			RK73GB2A222J	CHIP R 2.2K J 1/10W	
R115			RK73GB2A750J	CHIP R 75 J 1/10W		R256,257			RK73GB2A104J	CHIP R 100K J 1/10W	
R116			RK73GB2A103J	CHIP R 10K J 1/10W		R259			RK73GB2A102J	CHIP R 1.0K J 1/10W	
R117			RK73GB2A913J	CHIP R 91K J 1/10W		R260,261			RK73GB2A222J	CHIP R 2.2K J 1/10W	
R118			RK73GB2A563J	CHIP R 56K J 1/10W		R262			RK73GB2A102J	CHIP R 1.0K J 1/10W	
R119,120			RK73GB2A470J	CHIP R 47 J 1/10W		R264			RK73GB2A222J	CHIP R 2.2K J 1/10W	
R121			RK73GB2A274J	CHIP R 270K J 1/10W		R265			RK73GB2A104J	CHIP R 100K J 1/10W	
R122			RK73GB2A752J	CHIP R 7.5K J 1/10W		R266			RK73GB2A102J	CHIP R 1.0K J 1/10W	
R123			RK73GB2A913J	CHIP R 91K J 1/10W		R267			RK73GB2A473J	CHIP R 47K J 1/10W	
R124			RK73FB2B472J	CHIP R 4.7K J 1/8W		R268			RK73GB2A333J	CHIP R 33K J 1/10W	
R125,126			RD14DB2H102J	SMALL-RD 1.0K J 1/2W		R269			RK73GB2A472J	CHIP R 4.7K J 1/10W	
R127			RK73GB2A223J	CHIP R 22K J 1/10W		R270,271			RK73GB2A471J	CHIP R 470 J 1/10W	
R128,129			RD14DB2H102J	SMALL-RD 1.0K J 1/2W		R272			RK73GB2A472J	CHIP R 4.7K J 1/10W	
R130			RK73GB2A223J	CHIP R 22K J 1/10W		R273			RK73GB2A222J	CHIP R 2.2K J 1/10W	
R131			RK73FB2B472J	CHIP R 4.7K J 1/8W		R274			RK73GB2A102J	CHIP R 1.0K J 1/10W	
R132			RK73FB2B561J	CHIP R 560 J 1/8W		R277,278			RK73GB2A471J	CHIP R 470 J 1/10W	
R133			RK73GB2A104J	CHIP R 100K J 1/10W		R279,280			RK73GB2A472J	CHIP R 4.7K J 1/10W	
R135			RK73GB2A104J	CHIP R 100K J 1/10W		R282			RK73GB2A103J	CHIP R 10K J 1/10W	
R138			RK73GB2A223J	CHIP R 22K J 1/10W		R285			RK73GB2A102J	CHIP R 1.0K J 1/10W	
R139			RK73FB2B103J	CHIP R 10K J 1/8W		R300,301			RK73GB2A472J	CHIP R 4.7K J 1/10W	
R140			RK73GB2A103J	CHIP R 10K J 1/10W		R302			RK73GB2A221J	CHIP R 220 J 1/10W	
R141			RK73GB2A822J	CHIP R 8.2K J 1/10W		R303			RK73GB2A223J	CHIP R 22K J 1/10W	
R142			RK73GB2A183J	CHIP R 18K J 1/10W		R305			RK73GB2A432J	CHIP R 4.3K J 1/10W	
R143			RD14DB2H332J	SMALL-RD 3.3K J 1/2W		R306			RK73GB2A100J	CHIP R 10 J 1/10W	
R144			RK73EB2E473J	CHIP R 47K J 1/4W		R307			RK73GB2A622J	CHIP R 6.2K J 1/10W	
R145			RK73GB2A104J	CHIP R 100K J 1/10W		R312			RK73EB2E101J	CHIP R 100 J 1/4W	
R146			RK73EB2E102J	CHIP R 1.0K J 1/4W		R313-317			RK73EB2E472J	CHIP R 4.7K J 1/4W	
R148			RK73EB2E103J	CHIP R 10K J 1/4W		R318,319			RK73EB2E101J	CHIP R 100 J 1/4W	

K : North America

△ Indicates safety critical components.

PARTS LIST

* New parts

Parts without **Parts No.** are not supplied.

Les articles non mentionnés dans le **Parts No.** ne sont pas fournis.

Teile ohne **Parts No.** werden nicht geliefert.

ELECTRIC UNIT (X25-9680-10)

Ref. No.	A d	N e w	Parts No.	Description	Desti- nation
R321-323			RK73GB2A222J	CHIP R 2.2K J 1/10W	
R324,325			RK73GB2A103J	CHIP R 10K J 1/10W	
R326			RK73GB2A104J	CHIP R 100K J 1/10W	
R327,328			RK73GB2A472J	CHIP R 4.7K J 1/10W	
R329			RK73EB2E472J	CHIP R 4.7K J 1/4W	
R330,331			RK73EB2E101J	CHIP R 100 J 1/4W	
R332			RK73EB2E471J	CHIP R 470 J 1/4W	
R402			RK73FB2B102J	CHIP R 1.0K J 1/8W	
R403			RK73GB2A223J	CHIP R 22K J 1/10W	
D1			1N5393G-M5	DIODE	
D2			RB160L-40	DIODE	
D3			MA4056(N)-M	ZENER DIODE	
D4			MA4082(N)-L	ZENER DIODE	
D6			MA4110-L	ZENER DIODE	
D7			MA4110(N)-M	ZENER DIODE	
D8			MA4056(N)-M	ZENER DIODE	
D9-12			S1J	DIODE	
D9-12			1SR154-400	DIODE	
D13			1SS133	DIODE	
D14			MA4056-M	ZENER DIODE	
D16			MA4068(N)-M	ZENER DIODE	
D17			MA4062(N)-M	ZENER DIODE	
D20			1SS133	DIODE	
D23,24			DAP202U	DIODE	
D23,24			MA142WA	DIODE	
D25-27			RD6.8M(B2)	ZENER DIODE	
D28			RD6.8MW	ZENER DIODE	
D29-31			1SS133	DIODE	
D33-40			S1J	DIODE	
D33-40			1SR154-400	DIODE	
D50			RD6.8M(B2)	ZENER DIODE	
D51			RD6.8MW	ZENER DIODE	
D52,53			MA3062WA	ZENER DIODE	
D60			MA3062WA	ZENER DIODE	
D61			DA204U	DIODE	
D62			MA3062WA	ZENER DIODE	
D63-65			DA204U	DIODE	
D66			IMSA-6801	SURGE ABSORBER	
IC1		*	UPD703030GC015	MI-COM IC	
IC2			TDA7411	ANALOGUE IC	
IC3			M5237ML	ANALOGUE IC	
IC4			TDA7560	ANALOGUE IC	
IC6			ICL7660SIBA	ANALOGUE IC	
IC7			S-80837CNNB	MOS-IC	
IC8			TC74HC02AF	MOS-IC	
IC9-11			NJM4565M-TE2	ANALOGUE IC	
IC13,14			LB1930M	ANALOGUE IC	
IC15			BR24C01AF-W	ROM IC	
Q1			2SA2057	TRANSISTOR	
Q2			2SC4081	TRANSISTOR	
Q3			2SA1576A	TRANSISTOR	
Q4			DTA124EUA	DIGITAL TRANSISTOR	
Q4			UN5112	DIGITAL TRANSISTOR	
Q5			DTC124EUA	DIGITAL TRANSISTOR	

Ref. No.	A d	N e w	Parts No.	Description	Desti- nation
Q5			UN5212	DIGITAL TRANSISTOR	
Q6			DTC144EUA	DIGITAL TRANSISTOR	
Q6			UN5213	DIGITAL TRANSISTOR	
Q7			DTA124EUA	DIGITAL TRANSISTOR	
Q7			UN5112	DIGITAL TRANSISTOR	
Q8,9			2SA2057	TRANSISTOR	
Q11			DTC124EUA	DIGITAL TRANSISTOR	
Q11			UN5212	DIGITAL TRANSISTOR	
Q12			DTA124EUA	DIGITAL TRANSISTOR	
Q12			UN5112	DIGITAL TRANSISTOR	
Q13			2SA2057	TRANSISTOR	
Q14			2SC4081	TRANSISTOR	
Q15			2SB1443	TRANSISTOR	
Q16,17			2SC4081	TRANSISTOR	
Q18,19			2SA1576A	TRANSISTOR	
Q20,21			2SC4081	TRANSISTOR	
Q22			2SA1576A	TRANSISTOR	
Q23			DTC114YUA	DIGITAL TRANSISTOR	
Q23			UN5214	DIGITAL TRANSISTOR	
Q24,25			2SB1240	TRANSISTOR	
Q26			DTC114YUA	DIGITAL TRANSISTOR	
Q26			UN5214	DIGITAL TRANSISTOR	
Q27			2SA1576A	TRANSISTOR	
Q28			DTA124EUA	DIGITAL TRANSISTOR	
Q28			UN5112	DIGITAL TRANSISTOR	
Q29			DTA123JK	DIGITAL TRANSISTOR	
Q29			KRA105S	DIGITAL TRANSISTOR	
Q30			DTC144EUA	DIGITAL TRANSISTOR	
Q30			UN5213	DIGITAL TRANSISTOR	
Q32-34			2SC4081	TRANSISTOR	
Q51,52			DTA124EUA	DIGITAL TRANSISTOR	
Q51,52			UN5112	DIGITAL TRANSISTOR	
Q53			DTC143TUA	DIGITAL TRANSISTOR	
Q53			UN5216	DIGITAL TRANSISTOR	
Q54			DTC124EUA	DIGITAL TRANSISTOR	
Q54			UN5212	DIGITAL TRANSISTOR	
Q55-60			DTC143TUA	DIGITAL TRANSISTOR	
Q55-60			UN5216	DIGITAL TRANSISTOR	
Q63			DTA124EUA	DIGITAL TRANSISTOR	
Q63			UN5112	DIGITAL TRANSISTOR	
Q102			DTC124EUA	DIGITAL TRANSISTOR	
Q102			UN5212	DIGITAL TRANSISTOR	
Q103			2SB1188(Q,R)	TRANSISTOR	
TH1			PTH9C42BD471Q	POSITIVE RESISTOR	
A1		*	X86-3730-11	FRONT-END UNIT	
CD PLAYER UNIT (X32-5200-00)					
C1,2			CK73GB0J105K	CHIP C 1.0UF K	
C3			CK73FB1A225K	CHIP C 2.2UF K	
C4			C92-0566-05	CHIP-TAN 10UF 6.3WV	
C5			CC73GCH1H220J	CHIP C 22PF J	
C6			CC73GCH1H030C	CHIP C 3.0PF C	
C7			CK73GB1C104K	CHIP C 0.10UF K	
C8			CK73GB0J105K	CHIP C 1.0UF K	
C10			CK73GB1H472K	CHIP C 4700PF K	

K : North America

△ Indicates safety critical components.

PARTS LIST

* New parts

Parts without **Parts No.** are not supplied.

Les articles non mentionnés dans le **Parts No.** ne sont pas fournis.

Teile ohne **Parts No.** werden nicht geliefert.

CD PLAYER UNIT (X32-5200-00)

Ref. No.	Add	New	Parts No.	Description	Destination	Ref. No.	Add	New	Parts No.	Description	Destination
C11			CK73GB1H682K	CHIP C 6800PF K		R20			RK73GB2A104J	CHIP R 100K J 1/10W	
C12			CK73GB1H332K	CHIP C 3300PF K		R21			RK73GB2A244J	CHIP R 240K J 1/10W	
C13			CK73GB1C333K	CHIP C 0.033UF K		R22			RK73GB2A623J	CHIP R 62K J 1/10W	
C14			CK73GB1H472K	CHIP C 4700PF K		R32			RK73GB2A683J	CHIP R 68K J 1/10W	
C15			CK73GB1E473K	CHIP C 0.047UF K		R34			RK73GB2A363J	CHIP R 36K J 1/10W	
C16			CC73GCH1H221J	CHIP C 220PF J		R35			RK73GB2A104J	CHIP R 100K J 1/10W	
C17			CK73GB1H472K	CHIP C 4700PF K		R36			RK73GB2A151J	CHIP R 150 J 1/10W	
C18			CC73GCH1H331J	CHIP C 330PF J		R37			RK73GB2A471J	CHIP R 470 J 1/10W	
C19,20			CK73GB1C104K	CHIP C 0.10UF K		R38			RK73GB2A224J	CHIP R 220K J 1/10W	
C21			CK73FB1A225K	CHIP C 2.2UF K		R40			RK73GB2A133J	CHIP R 13K J 1/10W	
C23			CK73GB1H102K	CHIP C 1000PF K		R46			RK73GB2A102J	CHIP R 1.0K J 1/10W	
C24			CK73GB1E223K	CHIP C 0.022UF K		R47			RK73GB2A103J	CHIP R 10K J 1/10W	
C25			CK73GB1H153K	CHIP C 0.015UF K		R49			RK73GB2A472J	CHIP R 4.7K J 1/10W	
C26			CK73GB0J105K	CHIP C 1.0UF K		R52			RK73GB2A104J	CHIP R 100K J 1/10W	
C28			CK73GB0J105K	CHIP C 1.0UF K		R53			RK73GB2A103J	CHIP R 10K J 1/10W	
C29			CK73GB1C104K	CHIP C 0.10UF K		R54			RK73GB2A104J	CHIP R 100K J 1/10W	
C33			CK73GB1C104K	CHIP C 0.10UF K		R70			RK73GB2A103J	CHIP R 10K J 1/10W	
C35			CK73GB1C104K	CHIP C 0.10UF K		R71			RK73GB2A183J	CHIP R 18K J 1/10W	
C39			CK73GB1H152K	CHIP C 1500PF K		R73			RK73GB2A683J	CHIP R 68K J 1/10W	
C40			CK73GB1H103K	CHIP C 0.010UF K		R74			RK73GB2A123J	CHIP R 12K J 1/10W	
C41			CK73EB1C225K	CHIP C 2.2UF K		R75			RK73GB2A333J	CHIP R 33K J 1/10W	
C42			CK73GB1H152K	CHIP C 1500PF K		R76			RK73GB2A103J	CHIP R 10K J 1/10W	
C44			CK73GB1H103K	CHIP C 0.010UF K		R79,80			RK73GB2A103J	CHIP R 10K J 1/10W	
C46			CK73GB1E473K	CHIP C 0.047UF K		R81			RK73GB2A333J	CHIP R 33K J 1/10W	
C51			CK73GB1C104K	CHIP C 0.10UF K		R82			RK73GB2A223J	CHIP R 22K J 1/10W	
C55			CK73GB1C104K	CHIP C 0.10UF K		R84			RK73GB2A103J	CHIP R 10K J 1/10W	
C67,68			CK73GB1C104K	CHIP C 0.10UF K		R101,102			RK73GB2A332J	CHIP R 3.3K J 1/10W	
C71,72			CK73GB1H471K	CHIP C 470PF K		R103,104			RK73GB2A562J	CHIP R 5.6K J 1/10W	
C77,78			CC73GCH1H680J	CHIP C 68PF J		R107,108			RK73FB2B331J	CHIP R 330 J 1/8W	
C79,80			CK73GB1H222K	CHIP C 2200PF K		R110			RK73FB2B201J	CHIP R 200 J 1/8W	
C85			CK73GB1C104K	CHIP C 0.10UF K		R117,118			RK73FB2B203J	CHIP R 20K J 1/8W	
C89			CK73GB1H222K	CHIP C 2200PF K		R121,122			RK73FB2B203J	CHIP R 20K J 1/8W	
CN1			E40-9536-05	FLAT CABLE CONNECTOR		R125,126			RK73FB2B203J	CHIP R 20K J 1/8W	
CN1			E41-0193-05	FLAT CABLE CONNECTOR		R202			RK73GB2A104J	CHIP R 100K J 1/10W	
CN2			E40-9527-05	FLAT CABLE CONNECTOR		R213			RK73GB2A104J	CHIP R 100K J 1/10W	
CN2			E41-0213-05	FLAT CABLE CONNECTOR		R218			RK73GB2A473J	CHIP R 47K J 1/10W	
X1			L78-0851-05	RESONATOR (16.93MHZ)		R233			RK73GB2A622J	CHIP R 6.2K J 1/10W	
CP1			R90-1019-05	MULTI-COMP 100 X2		R234			RK73GB2A103J	CHIP R 10K J 1/10W	
CP2			R90-1014-05	MULTI-COMP 100 X4		S1,2			S68-0863-05	PUSH SWITCH	
R3			RK73GB2A272J	CHIP R 2.7K J 1/10W		S3			S68-0862-05	PUSH SWITCH	
R5			RK73GB2A361J	CHIP R 360 J 1/10W		D1			DAN202U	DIODE	
R6			RK73GB2A272J	CHIP R 2.7K J 1/10W		D2			MA8051-L	ZENER DIODE	
R7			RK73GB2A104J	CHIP R 100K J 1/10W		D3			DA204U	DIODE	
R8			RK73GB2A472J	CHIP R 4.7K J 1/10W		D4			DAN202U	DIODE	
R9			RK73FB2B100J	CHIP R 10 J 1/8W		IC1			AN22002AA	ANALOGUE IC	
R10,11			RK73GB2A562J	CHIP R 5.6K J 1/10W		IC2			MN662773KH2	MOS-IC	
R12			RK73GB2A682J	CHIP R 6.8K J 1/10W		IC4			BA5824FP	ANALOGUE IC	
R13			RK73GB2A392J	CHIP R 3.9K J 1/10W		IC6			NJM4580M1	ANALOGUE IC	
R15			RK73GB2A824J	CHIP R 820K J 1/10W		Q1			MCH6101	TRANSISTOR	
R16			RK73GB2A223J	CHIP R 22K J 1/10W		Q2			DTC124EUA	DIGITAL TRANSISTOR	
R17			RK73GB2A393J	CHIP R 39K J 1/10W		Q3			DTA143XUA	DIGITAL TRANSISTOR	
R18			RK73GB2A392J	CHIP R 3.9K J 1/10W		Q4			2SA1362(Y)	TRANSISTOR	
R19			RK73GB2A473J	CHIP R 47K J 1/10W		Q5			DTC124EUA	DIGITAL TRANSISTOR	

K : North America

△ Indicates safety critical components.

KDC-X769

PARTS LIST

* New parts

Parts without **Parts No.** are not supplied.

Les articles non mentionnés dans le **Parts No.** ne sont pas fournis.

Teile ohne **Parts No.** werden nicht geliefert.

Ref. No.	A d d	N e w	Parts No.	Description	Desti- nation
CD MECHANISM ASSY (X92-4450-01)					
2	1B		A10-4827-12	CHASSIS	
5	1B		D10-4576-43	ARM ASSY	
8	2A		D10-4579-03	LEVER ASSY	
10	3A		D10-4581-13	ARM	
11	2A		D10-4582-13	ARM	
12	3A		D10-4583-03	ARM	
13	3A		D10-4584-03	ARM	
14	3B		D10-4585-03	ARM	
15	2A		D10-4586-13	SLIDER	
16	3B		D10-4587-22	SLIDER	
17	3B		D10-4588-13	SLIDER	
18	3B		D10-4595-04	ARM	
19	3B		D10-4596-14	ARM	
22	2A		D13-2151-04	GEAR	
23	2B		D13-2152-04	GEAR	
24	3B		D13-2153-04	GEAR	
25	3B		D13-2154-04	GEAR	
26	3B		D13-2155-04	WORM	
27	3B		D13-2156-14	GEAR	
28	3B		D13-2157-04	GEAR	
29	3B		D13-2158-04	GEAR	
30	3B		D13-2168-04	GEAR	
31	3B		D13-2171-04	GEAR	
32	2B		D13-2172-03	RACK (GEAR)	
33	2A		D14-0759-04	ROLLER	
35	2B		D21-2382-04	SHAFT	
36	1A		D23-0954-04	RETAINER	
37	1B		D39-0246-05	DAMPER	
38	2B		G01-3072-04	EXTENSION SPRING	
39	2A		G01-3073-04	TORSION COIL SPRING	
40	2A		G01-3074-04	EXTENSION SPRING	
41	1B		G01-3075-04	EXTENSION SPRING	
42	2A		G01-3076-04	EXTENSION SPRING	
43	1B		G01-3077-04	EXTENSION SPRING	
44	2B		G02-1399-04	FLAT SPRING	
45	2B		G02-1408-04	FLAT SPRING	
51	1A		J21-9676-22	MOUNTING HARDWARE	
52	3B		J21-9677-02	MOUNTING HARDWARE	
53	1B		J21-9678-03	MOUNTING HARDWARE	
55	1A		J90-1001-11	GUIDE	
56	1B		J90-1023-03	GUIDE	
A	2B		N09-4460-05	TAPTITE SCREW (OVAL P TAPTIT)	
B	1B		N09-4472-05	MACHINE SCREW (M1.7X8.5)	
C	2B		N09-6004-05	MACHINE SCREW (M1.7X2.5 IB-L)	
E	2B		N09-6007-05	MACHINE SCREW (PAN M2X2)	
F	1A		N09-6051-05	TAPTITE SCREW (BIND P 2X5)	
G	2A		N19-2163-04	FLAT WASHER	
H	1B		N39-2020-46	PAN HEAD MACHIN SCREW	
J	1B		N09-6108-05	MACHINE SCREW (M2*3.5TYPE3)	
DM1	3B		T42-1066-04	DC MOTOR ASSY (SP)	
DM2	2B		T42-1067-04	DC MOTOR ASSY (LO)	

Ref. No.	A d d	N e w	Parts No.	Description	Desti- nation
DPU1	2D		X93-2000-00	OPTICAL PICKUP ASSY	

K : North America

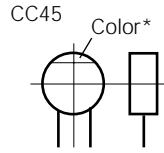
△ Indicates safety critical components.

PARTS LIST

CAPACITORS

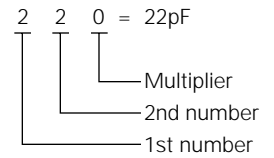
CC 45 TH 1H 220 J
 1 2 3 4 5 6

- 1 = Type ... ceramic, electrolytic, etc.
- 2 = Shape ... round, square, etc.
- 3 = Temp. coefficient
- 4 = Voltage rating
- 5 = Value
- 6 = Tolerance



• Capacitor value

- 010 = 1pF
- 100 = 10pF
- 101 = 100pF
- 102 = 1000pF = 0.001μF
- 103 = 0.01μF



• Temperature coefficient

1st Word	C	L	P	R	S	T	U
Color*	Black	Red	Orange	Yellow	Green	Blue	Violet
ppm/°C	0	-80	-150	-220	-330	-470	-750

2nd Word	G	H	J	K	L
ppm/°C	±30	±60	±120	±250	±500

Example : CC45TH = -470±60ppm/°C

• Tolerance (More than 10pF)

Code	C	D	G	J	K	M	X	Z	P	No code
(%)	±0.25	±0.5	±2	±5	±10	±20	+40 -20	+80 -20	+100 -0	More than 10μF : -10~+50 Less than 4.7μF : -10~+75

(Less than 10pF)

Code	B	C	D	F	G
(pF)	±0.1	±0.25	±0.5	±1	±2

• Voltage rating

2nd word \ 1st word	A	B	C	D	E	F	G	H	J	K	V
0	1.0	1.25	1.6	2.0	2.5	3.15	4.0	5.0	6.3	8.0	-
1	10	12.5	16	20	25	31.5	40	50	63	80	35
2	100	125	160	200	250	315	400	500	630	800	-
3	1000	1250	1600	2000	2500	2150	4000	5000	6300	8000	-

CHIP CAPACITORS

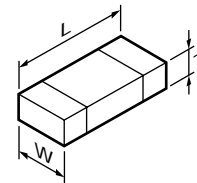
(EX) CC 73 F SL 1H 000 J
 1 2 3 4 5 6 7
 (Chip) (CH, RH, UJ, SL)

(EX) CK 73 F F 1H 000 Z
 1 2 3 4 5 6 7
 (Chip) (B, F)

Refer to the table above.

- 1 = Type
- 2 = Shape
- 3 = Dimension
- 4 = Temp. coefficient
- 5 = Voltage rating
- 6 = Value
- 7 = Tolerance

• Dimension



Chip capacitor

Code	L	W	T
Empty	5.6±0.5	5.0±0.5	Less than 2.0
A	4.5±0.5	3.2±0.4	Less than 2.0
B	4.5±0.5	2.0±0.3	Less than 2.0
C	4.5±0.5	1.25±0.2	Less than 1.25
D	3.2±0.4	2.5±0.3	Less than 1.5
E	3.2±0.2	1.6±0.2	Less than 1.25
F	2.0±0.3	1.25±0.2	Less than 1.25
G	1.6±0.2	0.8±0.2	Less than 1.0
H	1.0±0.05	0.5±0.05	0.5±0.05

Chip resistor

Code	L	W	T
E	3.2±0.2	1.6±0.2	1.0
F	2.0±0.3	1.25±0.2	1.0
G	1.6±0.2	0.8±0.2	0.5±0.1
H	1.0±0.05	0.5±0.05	0.35±0.05

RESISTORS

• Chip resistor (Carbon)

(EX) RD 73 E B 2B 000 J
 1 2 3 4 5 6 7
 (Chip) (B, F)

• Carbon resistor (Normal type)

(EX) RD 14 B B 2C 000 J
 1 2 3 4 5 6 7
 (Chip) (B, F)

- 1 = Type ... ceramic, electrolytic, etc.
- 2 = Shape ... round, square, etc.
- 3 = Dimension
- 4 = Temp. coefficient
- 5 = Voltage rating
- 6 = Value
- 7 = Tolerance

• Rating wattage

Code	Wattage	Code	Wattage	Code	Wattage
1J	1/16W	2C	1/6W	3A	1W
2A	1/10W	2E	1/4W	3D	2W
2B	1/8W	2H	1/2W		

KDC-X769

SPECIFICATIONS

FM

Frequency Range (Frequency step) 87.9MHz~107.9MHz (200kHz)
Channel Space Selection 50kHz/200kHz
Usable Sensitivity (S/N 30dB) 9.3dBf (0.8 μ V/75 Ω)
Quieting Sensitivity (S/N 50dB) 15.2dBf (1.6 μ V/75 Ω)
Frequency Response (\pm 3.0dB) 30Hz~15kHz
S/N 70dB (MONO)
Selectivity \geq 80dB (\pm 400kHz)
Stereo Separation 40dB (1kHz)

AM

Frequency Range (Frequency step) 530kHz~1700kHz (10kHz)
Channel Space Selection 9kHz/10kHz
Usable Sensitivity (S/N 20dB) 28dB μ (25 μ V)

CD

Laser Diode GaAlAs (λ =780nm)
Digital Filter (D/A) 8 Times Over Sampling
D/A Converter 1 Bit
Spindle Speed (CD-DA) 500~200rpm (CLV)
Wow & Flutter Below Measurable Limit
Frequency Response 10Hz~20kHz (\pm 1dB)
Total Harmonic Distortion 0.01% (1kHz)
S/N Ratio 105dB (1kHz)
Dynamic Range 93dB
Channel Separation 95dB

Preout Level/Load (Unbalanced) 5000mV/10k Ω (CD/CD-CH)
Preout Impedance 80 Ω

AUX Input

Frequency Response 20Hz~20kHz \pm 1dB
Input Maximum Voltage 1200mV
Input impedance 100k Ω

Amplifier

Maximum Power 50Wx4
Full Bandwidth Power (at less than 1% THD) 22Wx4

Tone

Bass 100Hz \pm 10dB
Middle 1kHz \pm 10dB
Treble 10kHz \pm 10dB

General

Operating Voltage (11V~16V allowable) 14.4V
Current Consumption 10A
Installation Size (WxHxD) 178x50x165 (mm)
..... 7x1-15/16x6-1/2 (in)
Weight 3.75lbs (1.70kg)

KENWOOD follows a policy of continuous advancements in development. For this reason specifications may be changed without notice.

KENWOOD CORPORATION

2967-3, Ishikawa-machi, Hachioji-shi, Tokyo 192-8525, Japan

KENWOOD USA CORPORATION
P.O. BOX 22745, 2201 East Dominguez Street, Long Beach, CA90801-5745, U.S.A.

KENWOOD ELECTRONICS CANADA INC.
6070 Kestrel Road, Mississauga, Ontario, Canada L5T 1S8

KENWOOD ELECTRONICS LATIN AMERICA S.A.
P.O. Box 55-2791 Paitilla, Plaza Credicorp Bank Panama,
Piso 9, Oficina 901, Calle 50, Panama, Rep. de Panama

KENWOOD ELECTRONICS BRASIL LTDA.
Alameda Ministro Rocha Azevedo No. 456,
Edifício Jaú, 10o Andar, Cerqueira César, Cep 0140-001,
São Paulo-SP-Brasil

KENWOOD ELECTRONICS UK LIMITED
Kenwood House, Dwight Road, Watford, Herts, WD18 9EB, United Kingdom

KENWOOD ELECTRONICS DEUTSCHLAND GMBH
Rembrücker-Str. 15, 63150 Heusenstamm, Germany

KENWOOD ELECTRONICS FRANCE S.A.
13, Boulevard Ney, 75018 Paris, France

KENWOOD ELECTRONICS BELGIUM N.V.
Leuvensesteenweg 248 J, 1800 Vilvoorde, Belgium

KENWOOD ELECTRONICS ITALIA S.p.A.
Via G. Sirtori 7/9, 20129 Milano, Italy

KENWOOD IBÉRICA S.A.
Bohívia, 239-08020 Barcelona, Spain

KENWOOD ELECTRONICS AUSTRALIA PTY. LTD. (A.C.N. 001 499 074)
16 Giffnock Avenue, Centrecourt Estate, North Ryde,
N.S.W. 2113, Australia

KENWOOD ELECTRONICS (HONG KONG) LTD.
Unit 3712-3724, Level 37, Tower 1, Metroplaza, 223 Hing Fong Road, Kwai Fong, N.T.,
Hong Kong

KENWOOD ELECTRONICS GULF FZE
P.O. Box 61318, Jebel Ali, Dubai, U.A.E.

KENWOOD ELECTRONICS (THAILAND) CO., LTD.
2019 New Pechburi Road, Bangkok, Huaykwang, Bangkok, 10320 Thailand

KENWOOD ELECTRONICS SINGAPORE PTE. LTD.
1 Genting Lane, #07-00, Kenwood Building, Singapore, 349544

KENWOOD ELECTRONICS (MALAYSIA) SDN BHD
#4.01 Level 4, Wisma Academy Lot 4A, Jalan 19/1, 46300 Petaling Jaya, Selangor Darul Ehsan,
Malaysia